

# LINC 405

---

OPERATOR'S MANUAL

MANUALE OPERATIVO

BEDIENUNGSANLEITUNG

MANUAL DE INSTRUCCIONES

MANUEL D'UTILISATION

BRUKSANVISNING OG DELELISTE

GEBRUIKSAANWIJZING

BRUKSANVISNING

INSTRUKCJA OBSŁUGI

KÄYTTÖOHJE



---

**LINCOLN**<sup>®</sup>  
**ELECTRIC**

LINCOLN ELECTRIC BESTER S.A.  
ul. Jana III Sobieskiego 19A, 58-260 Bielawa, Poland  
[www.lincolnelectriceurope.com](http://www.lincolnelectriceurope.com)

Declaration of conformity  
Dichiarazione di conformità  
Konformitätserklärung  
Declaración de conformidad  
Déclaration de conformité  
Samsvars erklæring  
Verklaring van overeenstemming

Försäkran om överensstämmelse  
Deklaracja zgodności  
Vakuutus yhteensopivuudesta

**LINCOLN ELECTRIC BESTER S.A.**



Declares that the welding machine:  
Dichiara che il generatore per saldatura tipo:  
Erklärt, daß die Bauart der Maschine:  
Declara que el equipo de soldadura:  
Déclare que le poste de soudage:  
Bekrefter at denne sveisemaskin:  
Verklaart dat de volgende lasmachine:

Försäkrar att svetsomriktaren:  
Deklaruje, że spawalnicze źródło energii:  
Vakuuttaa, että hitsauskone:

**LINC 405-S, LINC 405-SA**

conforms to the following directives:  
è conforme alle seguenti direttive:  
den folgenden Bestimmungen entspricht:  
es conforme con las siguientes directivas:  
est conforme aux directives suivantes:  
er i samsvar med følgende direktiver:  
overeenkomt conform de volgende richtlijnen:

överensstämmer med följande direktiv:  
spełnia następujące wytyczne:  
täyttää seuraavat direktiivit:

**73/23/CEE, 89/336/CEE**

and has been designed in compliance with the following standards:  
ed è stato progettato in conformità alle seguenti norme:  
und in Übereinstimmung mit den nachstehenden normen hergestellt wurde:  
y ha sido diseñado de acuerdo con las siguientes normas:  
et qu'il a été conçu en conformité avec les normes:  
og er produsert og testet iht. følgende standarder:

en is ontworpen conform de volgende normen:  
och att den konstruerats i överensstämmelse med följande standarder:  
i że zostało zaprojektowane zgodnie z wymaganiami następujących norm:  
ja on suunniteltu seuraavien standardien mukaan:

**EN 60974-1, EN 60974-10**

(2003)

Tomasz Domagalski  
Operations Director

LINCOLN ELECTRIC BESTER S.A., ul. Jana III Sobieskiego 19A, 58-260 Bielawa, Poland

<p><b>THANKS!</b> For having chosen the QUALITY of the Lincoln Electric products.</p> <ul style="list-style-type: none"> <li>Please Examine Package and Equipment for Damage. Claims for material damaged in shipment must be notified immediately to the dealer.</li> <li>For future reference record in the table below your equipment identification information. Model Name, Code &amp; Serial Number can be found on the machine rating plate.</li> </ul>
<p><b>GRAZIE!</b> Per aver scelto la QUALITÀ dei prodotti Lincoln Electric.</p> <ul style="list-style-type: none"> <li>Esamini l'imballo ed Equipaggiamento per rilevare eventuali danneggiamenti. Le richieste per materiali danneggiati dal trasporto devono essere immediatamente notificate al rivenditore.</li> <li>Per ogni futuro riferimento, compilare la tabella sottostante con le informazioni di identificazione equipaggiamento. Modello, Codice (Code) e Matricola (Serial Number) sono reperibili sulla targa dati della macchina.</li> </ul>
<p><b>VIELEN DANK!</b> Dass Sie sich für ein QUALITÄTSPRODUKT von Lincoln Electric entschieden haben.</p> <ul style="list-style-type: none"> <li>Bitte überprüfen Sie die Verpackung und den Inhalt auf Beschädigungen. Transportschäden müssen sofort dem Händler gemeldet werden.</li> <li>Damit Sie Ihre Gerätedaten im Bedarfsfall schnell zur Hand haben, tragen Sie diese in die untenstehende Tabelle ein. Typenbezeichnung, Code- und Seriennummer finden Sie auf dem Typenschild Ihres Gerätes.</li> </ul>
<p><b>GRACIAS!</b> Por haber escogido los productos de CALIDAD Lincoln Electric.</p> <ul style="list-style-type: none"> <li>Por favor, examine que el embalaje y el equipo no tengan daños. La reclamación del material dañado en el transporte debe ser notificada inmediatamente al proveedor.</li> <li>Para un futuro, a continuación encontrará la información que identifica a su equipo. Modelo, Code y Número de Serie los cuales pueden ser localizados en la placa de características de su equipo.</li> </ul>
<p><b>MERCI!</b> Pour avoir choisi la QUALITÉ Lincoln Electric.</p> <ul style="list-style-type: none"> <li>Vérifiez que ni l'équipement ni son emballage ne sont endommagés. Toute réclamation pour matériel endommagé doit être immédiatement notifiée à votre revendeur.</li> <li>Notez ci-dessous toutes les informations nécessaires à l'identification de votre équipement. Le nom du Modèle ainsi que les numéros de Code et Série figurent sur la plaque signalétique de la machine.</li> </ul>
<p><b>TAKK!</b> For at du har valgt et KVALITETSPRODUKT fra Lincoln Electric.</p> <ul style="list-style-type: none"> <li>Kontroller emballsjen og produktet for feil eller skader. Eventuelle feil eller transportskader må umiddelbart rapporteres dit du har kjøpt din maskin.</li> <li>For fremtidig referanse og for garantier og service, fyll ut den tekniske informasjonen nedenfor i dette avsnittet. Modell navn, Kode &amp; Serie nummer finner du på den tekniske platen på maskinen.</li> </ul>
<p><b>BEDANKT!</b> Dat u gekozen heeft voor de KWALITEITSPRODUCTEN van Lincoln Electric.</p> <ul style="list-style-type: none"> <li>Controleert u de verpakking en apparatuur op beschadiging. Claims over transportschade moeten direct aan de dealer of aan Lincoln electric gemeld worden.</li> <li>Voor referentie in de toekomst is het verstandig hieronder u machinegegevens over te nemen. Model Naam, Code &amp; Serienummer staan op het typeplaatje van de machine.</li> </ul>
<p><b>TACK!</b> För att ni har valt en KVALITETSPRODUKT från Lincoln Electric.</p> <ul style="list-style-type: none"> <li>Vänligen kontrollera förpackning och utrustning m.a.p. skador. Transportskador måste omedelbart anmälas till återförsäljaren eller transportören.</li> <li>Notera informationen om er utrustnings identitet i tabellen nedan. Modellbeteckning, code- och serienummer hittar ni på maskinens märkplåt.</li> </ul>
<p><b>DZIĘKUJEMY!</b> Za docenienie JASKOŚCI produktów Lincoln Electric.</p> <ul style="list-style-type: none"> <li>Proszę sprawdzić czy opakowanie i sprzęt nie są uszkodzone. Reklamacje uszkodzeń powstałych podczas transportu muszą być natychmiast zgłoszone do dostawcy (dystrybutora).</li> <li>Dla ułatwienia prosimy o zapisanie na tej stronie danych identyfikacyjnych wyrobów. Nazwa modelu, Kod i Numer Seryjny, które możecie Państwo znaleźć na tabliczce znamionowej wyrobu.</li> </ul>
<p><b>KIITOS!</b> Kiitos, että olet valinnut Lincoln Electric LAATU tuotteita.</p> <ul style="list-style-type: none"> <li>Tarkista pakkaus ja tuotteet vaurioiden varalta. Vaateet mahdollisista kuljetusvaurioista on ilmoitettava välittömästi jälleenmyyjälle.</li> <li>Tulevaisuutta varten täytä alla oleva lomake laitteen tunnistusta varten. Mallin, Koodin ja Sarjanumeron voit löytää konekilvestä.</li> </ul>

<p>Model Name, Modello, Typenbezeichnung, Modelo, Nom du modèle, Modell navn, Model Naam, Modellbeteckning, Nazwa modelu, Mallinimi:</p> <p>.....</p>
<p>Code &amp; Serial number, Code (codice) e Matricola, Code- und Seriennummer, Code y Número de Serie, Numéros de Code et Série, Kode &amp; Serie nummer, Code en Serienummer, Code- och Serienummer, Kod i numer Seryjny, Koodi ja Sarjanumero:</p> <p>.....</p>
<p>Date &amp; Where Purchased, Data e Luogo d'acquisto, Kaufdatum und Händler, Fecha y Nombre del Proveedor, Lieu et Date d'acquisition, Kjøps dato og Sted, Datum en Plaats eerste aankoop, Inköpsdatum och Inköpsställe, Data i Miejsce zakupu, Päiväys ja Ostopaikka:</p> <p>.....</p>

## ENGLISH INDEX

Safety .....	A-1
Installation and Operator Instructions .....	A-2
Electromagnetic Compatibility (EMC) .....	A-4
Technical Specifications .....	A-4

## INDICE ITALIANO

Sicurezza .....	B-1
Installazione e Istruzioni Operative .....	B-2
Compatibilità Elettromagnetica (EMC) .....	B-4
Specifiche Tecniche .....	B-5

## INHALTSVERZEICHNIS DEUTSCH

Sicherheitsmaßnahmen / Unfallschutz .....	C-1
Installation und Bedienungshinweise .....	C-2
Elektromagnetische Verträglichkeit (EMC) .....	C-4
Technische Daten .....	C-5

## INDICE ESPAÑOL

Seguridad .....	D-1
Instalación e Instrucciones de Funcionamiento .....	D-2
Compatibilidad Electromagnética (EMC) .....	D-4
Especificaciones Técnicas .....	D-5

## INDEX FRANÇAIS

Sécurité .....	E-1
Installation et Instructions d'Utilisation .....	E-2
Compatibilité Electromagnétique (CEM) .....	E-4
Caractéristiques Techniques .....	E-5

## NORSK INNHOLDSFORTEGNELSE

Sikkerhetsregler .....	F-1
Installasjon og Brukerinstruksjon .....	F-2
Elektromagnetisk Kompatibilitet (EMC) .....	F-4
Tekniske Spesifikasjoner .....	F-5

## NEDERLANDSE INDEX

Veiligheid .....	G-1
Installatie en Bediening .....	G-2
Elektromagnetische Compatibiliteit (EMC) .....	G-4
Technische Specificaties .....	G-5

## SVENSK INNEHÅLLSFÖRTECKNING

Säkerhetsanvisningar .....	H-1
Instruktioner för Installation och Handhavande .....	H-2
Elektromagnetisk Kompatibilitet (EMC) .....	H-4
Tekniska Specifikationer .....	H-5

## SKOROWIDZ POLSKI

Bezpieczeństwo Użytkowania .....	I-1
Instrukcja Instalacji i Eksploatacji .....	I-2
Kompatybilność Elektromagnetyczna (EMC) .....	I-4
Dane Techniczne .....	I-5

## SISÄLLYSLUETTELO

Turvallisuus .....	J-1
Asennus ja Käyttöohjeet .....	J-2
Elektromagneettinen Yhteensopivuus (EMC) .....	J-4
Tekniset Tiedot .....	J-4

Spare Parts, Parti di Ricambio, Ersatzteile, Lista de Piezas de Recambio, Pièces de Rechange, Deleliste, Reserve Onderdelen, Reservdelar, Wykaz Części Zamiennych, Varaosaluettelo .....	1
Electrical Schematic, Schema Elettrico, Elektrische Schaltpläne, Esquema Eléctrico, Schéma Electrique, Elektrisk Skjema, Elektrisk Schema, Elektriskt Kopplingschema, Schemat Elektryczny, Sähkökaavio .....	4
Accessories, Accessori, Zubehör, Accesorios, Accessoires, Tilleggsutstyr, Accesorios, Tillbehör, Akcesoria, Varusteet .....	5



## WARNING

This equipment must be used by qualified personnel. Be sure that all installation, operation, maintenance and repair procedures are performed only by qualified person. Read and understand this manual before operating this equipment. Failure to follow the instructions in this manual could cause serious personal injury, loss of life, or damage to this equipment. Read and understand the following explanations of the warning symbols. Lincoln Electric is not responsible for damages caused by improper installation, improper care or abnormal operation.

	<p><b>WARNING:</b> This symbol indicates that instructions must be followed to avoid serious personal injury, loss of life, or damage to this equipment. Protect yourself and others from possible serious injury or death.</p>
	<p><b>READ AND UNDERSTAND INSTRUCTIONS:</b> Read and understand this manual before operating this equipment. Arc welding can be hazardous. Failure to follow the instructions in this manual could cause serious personal injury, loss of life, or damage to this equipment.</p>
	<p><b>ELECTRIC SHOCK CAN KILL:</b> Welding equipment generates high voltages. Do not touch the electrode, work clamp, or connected work pieces when this equipment is on. Insulate yourself from the electrode, work clamp, and connected work pieces.</p>
	<p><b>ELECTRICALLY POWERED EQUIPMENT:</b> Turn off input power using the disconnect switch at the fuse box before working on this equipment. Ground this equipment in accordance with local electrical regulations.</p>
	<p><b>ELECTRICALLY POWERED EQUIPMENT:</b> Regularly inspect the input, electrode, and work clamp cables. If any insulation damage exists replace the cable immediately. Do not place the electrode holder directly on the welding table or any other surface in contact with the work clamp to avoid the risk of accidental arc ignition.</p>
	<p><b>ELECTRIC AND MAGNETIC FIELDS MAY BE DANGEROUS:</b> Electric current flowing through any conductor creates electric and magnetic fields (EMF). EMF fields may interfere with some pacemakers, and welders having a pacemaker shall consult their physician before operating this equipment.</p>
	<p><b>CE COMPLIANCE:</b> This equipment complies with the European Community Directives.</p>
	<p><b>FUMES AND GASES CAN BE DANGEROUS:</b> Welding may produce fumes and gases hazardous to health. Avoid breathing these fumes and gases. To avoid these dangers the operator must use enough ventilation or exhaust to keep fumes and gases away from the breathing zone.</p>
	<p><b>ARC RAYS CAN BURN:</b> Use a shield with the proper filter and cover plates to protect your eyes from sparks and the rays of the arc when welding or observing. Use suitable clothing made from durable flame-resistant material to protect you skin and that of your helpers. Protect other nearby personnel with suitable, non-flammable screening and warn them not to watch the arc nor expose themselves to the arc.</p>
	<p><b>WELDING SPARKS CAN CAUSE FIRE OR EXPLOSION:</b> Remove fire hazards from the welding area and have a fire extinguisher readily available. Welding sparks and hot materials from the welding process can easily go through small cracks and openings to adjacent areas. Do not weld on any tanks, drums, containers, or material until the proper steps have been taken to insure that no flammable or toxic vapors will be present. Never operate this equipment when flammable gases, vapors or liquid combustibles are present.</p>
	<p><b>WELDED MATERIALS CAN BURN:</b> Welding generates a large amount of heat. Hot surfaces and materials in work area can cause serious burns. Use gloves and pliers when touching or moving materials in the work area.</p>
	<p><b>SAFETY MARK:</b> This equipment is suitable for supplying power for welding operations carried out in an environment with increased hazard of electric shock.</p>

# Installation and Operator Instructions

Read this entire section before installation or operation of the machine.

## Location and Environment

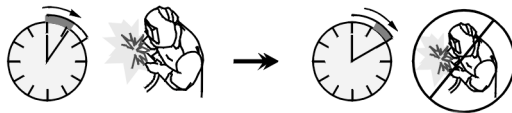
This machine will operate in harsh environments. However, it is important that simple preventative measures are followed to assure long life and reliable operation.

- Do not place or operate this machine on a surface with an incline greater than 15° from horizontal.
- Do not use this machine for pipe thawing.
- This machine must be located where there is free circulation of clean air without restrictions for air movement to and from the air vents. Do not cover the machine with paper, cloth or rags when switched on.
- Dirt and dust that can be drawn into the machine should be kept to a minimum.
- This machine has a protection rating of IP23. Keep it dry when possible and do not place it on wet ground or in puddles.
- Locate the machine away from radio controlled machinery. Normal operation may adversely affect the operation of nearby radio controlled machinery, which may result in injury or equipment damage. Read the section on electromagnetic compatibility in this manual.
- Do not operate in areas with an ambient temperature greater than 40°C.

## Duty cycle and Overheating

The duty cycle of a welding machine is the percentage of time in a 10 minute cycle at which the welder can operate the machine at rated welding current.

60% duty cycle:

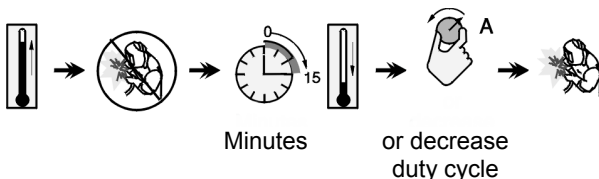


Welding for 6 minutes.

Break for 4 minutes.

Excessive extension of the work duty cycle will cause the thermal protection circuit to activate.

The welding machine is protected from overheating by a thermostat. When the machine is overheated the output of the machine will turn "OFF", and the Thermal Indicator Light will turn "ON". When the machine has cooled to a safe temperature the Thermal Indicator Light will go out and the machine may resume normal operation.



Minutes

or decrease duty cycle

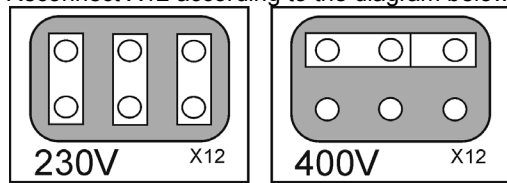
## Input Supply Connection

Installation and mains outlet socket shall be made and protected according to appropriate rules.

Check the input voltage, phase, and frequency supplied to this machine before turning it on. Verify the connection of grounding wires from the machine to the input source. The allowable input voltages are 3x230V and 3x400V 50Hz (400V: factory default). For more information about input supply refer to the technical specification section of this manual and to the rating plate of the machine.

If it is necessary to change the main supply voltage:

- Ensure that the input cable must be disconnected from the main supply and the machine switched OFF.
- Remove the top panel from the machine.
- Reconnect X12 according to the diagram below.



- Replace the top panel.

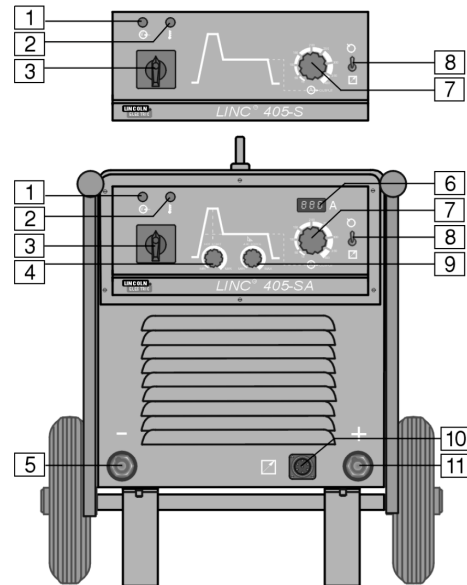
Make sure the amount of power available from the input connection is adequate for normal operation of the machine. The necessary delayed fuse (or circuit breaker with "D" characteristic) and cable sizes are indicated in the technical specification section of this manual.

Refer to points 1, 3, 12 and 13 of the images below.

## Output Connections

Refer to points 5, 10 and 11 of the images below.

## Controls and Operational Features



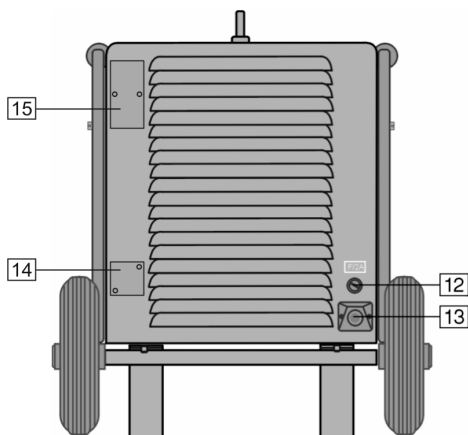
1. **Power Indicator:** After input power is connected and the power switch is turned on, this lamp will light up to indicate the machine is ready to weld.
2. **Thermal Overload Indicator:** This lamp will light up when the machine is overheated and the output has

been turned off. This can occur if the ambient temperature is above 40°C or the duty cycle of the machine has been exceeded. Leave the machine on to allow the internal components to cool, when the lamp turns off normal operation is possible.

- **Thermostatic fan:** the fan is additionally controlled by the thermal protection circuit. This feature saves energy and also minimizes the amount of dirt and other air borne particles being drawn into the machine.

**The fan is operating only while cooling is needed.**

3. **Power on/off Switch:** Controls the input power to the machine.
4. **Hot Start Control (LINC 405-SA only):** Hot Start is a temporary increase in the output current during the start of stick (MMA) welding that helps ignite the arc quickly and reliably. The potentiometer is used to set the level of the increased current.
5. **Negative Quick Disconnect:** Negative output connector for the welding circuit.
6. **Digital Welding Current Meter with memory feature (LINC 405-SA only):** Shows present the value of the welding current during welding; after welding it continues to display the average welding current.
7. **Output Current Control:** Potentiometer used to set the output current (also during welding), from 15A to 400A.
8. **Local/Remote Switch:** Remote Control Unit K10095-1-15M and K870 can be used with this machine. It changes control of the Output Current from the machine Output Control (point 7) to the K10095-1-15M or K870 and vice versa.
9. **Arc Force Control (LINC 405-SA only):** It is a function used during stick (MMA) welding in which the output current is temporarily increased to clear short circuit connections between the electrode and the weld puddle that occur during normal welding.
10. **Remote Control Connection:** If a remote control is used, it will be connected to the remote connector.
11. **Positive Quick Disconnect:** Positive output connector for the welding circuit.



12. **Fuse:** This fuse protects the Fan Circuit.
13. **Power Input Socket:** Connect the supply plug to the existing input cable, that is rated for the machine as indicated in this manual, and conforms to all applicable standards. This connection shall be performed only by a qualified person.
14. **Hole covered:** For 48Vac socket K14027-1.
15. **Hole covered:** For circuit breaker which protects the 48Vac socket K14027-1.

## Stick Welding (MMA)

For starting welding process with MMA method you should:

- Insert welding cable plugs into output sockets and twist to lock them in place.
- Connect the work cable to the welding piece with the work clamp.
- Fasten a correct coated electrode into the electrode holder.
- Connect the main plug to the outlet mains socket.
- Set the Local/Remote Switch in required position: local or remote.
- Turn the Power on/off Switch on.
- Set required welding current by knob of the Output Current Control.
- Obeying appropriate rules you can begin to weld.

## Maintenance

### ⚠ WARNING

For any maintenance or repair operations it is recommended to contact the nearest technical service center or Lincoln Electric. Maintenance or repairs performed by unauthorized service centers or personnel will null and void the manufacturers warranty.

The frequency of the minatenance operations may vary in accordance with the working environment where the machine is placed.

Any noticeable damage should be reported immediately.

### Routine maintenance (everyday)

- Check cables and connections integrity. Replace, if necessary.
- Check condition and operation of the cooling fan. Keep clean its airflow slots.

### Periodic maintenance (every 200 working hours but not more rarely than once a year)

Perform the routine maintenance and, in addition:

- Keep clean the machine. Using a dry ( and low pressure) airflow, remove the dust from the external case and from inside of the cabinet.
- Check and tighten all screws.

### ⚠ WARNING

Mains supply network must be disconnected from the machine before each maintenance and service. After each repair, perform proper tests to ensure safety.

# Electromagnetic Compatibility (EMC)

11/04

This machine has been designed in accordance with all relevant directives and standards. However, it may still generate electromagnetic disturbances that can affect other systems like telecommunications (telephone, radio, and television) or other safety systems. These disturbances can cause safety problems in the affected systems. Read and understand this section to eliminate or reduce the amount of electromagnetic disturbance generated by this machine.



This machine has been designed to operate in an industrial area. To operate in a domestic area it is necessary to observe particular precautions to eliminate possible electromagnetic disturbances. The operator must install and operate this equipment as described in this manual. If any electromagnetic disturbances are detected the operator must put in place corrective actions to eliminate these disturbances with, if necessary, assistance from Lincoln Electric.

Before installing the machine, the operator must check the work area for any devices that may malfunction because of electromagnetic disturbances. Consider the following.

- Input and output cables, control cables, and telephone cables that are in or adjacent to the work area and the machine.
- Radio and/or television transmitters and receivers. Computers or computer controlled equipment.
- Safety and control equipment for industrial processes. Equipment for calibration and measurement.
- Personal medical devices like pacemakers and hearing aids.
- Check the electromagnetic immunity for equipment operating in or near the work area. The operator must be sure that all equipment in the area is compatible. This may require additional protection measures.
- The dimensions of the work area to consider will depend on the construction of the area and other activities that are taking place.

Consider the following guidelines to reduce electromagnetic emissions from the machine.

- Connect the machine to the input supply according to this manual. If disturbances occur it may be necessary to take additional precautions such as filtering the input supply.
- The output cables should be kept as short as possible and should be positioned together. If possible connect the work piece to ground in order to reduce the electromagnetic emissions. The operator must check that connecting the work piece to ground does not cause problems or unsafe operating conditions for personnel and equipment.
- Shielding of cables in the work area can reduce electromagnetic emissions. This may be necessary for special applications.

## Technical Specifications

INPUT			
Input Voltage 230 / 400V ± 10% Three Phase	Input Power at Rated Output 34 kVA @ 35% Duty Cycle	Frequency 50 Hertz (Hz)	
RATED OUTPUT AT 40°C			
Duty Cycle (Based on a 10 min. period)	Output Current	Output Voltage	
35%	400A	36.0 Vdc	
60%	315A	33.0 Vdc	
100%	240A	29.0 Vdc	
OUTPUT RANGE			
Welding Current Range 15 – 400 Amps		Maximum Open Circuit Voltage 78 Vdc	
RECOMMENDED INPUT CABLE AND FUSE SIZES			
Fuse or Circuit Breaker Size 63A Superlag (230V input) 40A Superlag (400V input)		Input Power Cable 4 Conductor, 6 mm <sup>2</sup>	
PHYSICAL DIMENSIONS			
Height 640 mm	Width 580 mm	Length 1150 mm (700 mm without handles)	Weight 126 Kg
Operating Temperature -10°C to +40°C		Storage Temperature -25°C to +55°C	





## AVVERTENZA

Questa macchina deve essere impiegata solo da personale qualificato. Assicuratevi che tutte le procedure di installazione, impiego, manutenzione e riparazione vengano eseguite solamente da persone qualificate. Leggere e comprendere questo manuale prima di mettere in funzione la macchina. La mancata osservanza delle istruzioni di questo manuale può provocare seri infortuni, anche mortali, alle persone, o danni alla macchina. Leggere e comprendere le spiegazioni seguenti sui simboli di avvertenza. La Lincoln Electric non si assume alcuna responsabilità per danni conseguenti a installazione non corretta, incuria o impiego in modo anormale.

	<p><b>AVVERTENZA:</b> Questo simbolo indica che occorre seguire le istruzioni per evitare seri infortuni, anche mortali, alle persone o danni a questa macchina. Proteggete voi stessi e gli altri dalla possibilità di seri infortuni anche mortali.</p>
	<p><b>LEGGERE E COMPNDERE LE ISTRUZIONI:</b> Leggere e comprendere questo manuale prima di far funzionare la macchina. La saldatura ad arco può presentare dei rischi. La mancata osservanza delle istruzioni di questo manuale può provocare seri infortuni, anche mortali, alle persone o danni alla macchina.</p>
	<p><b>LA FOLGORAZIONE ELETTRICA E' MORTALE:</b> Le macchine per saldatura generano tensioni elevate. Non toccate l'elettrodo, il morsetto di massa o pezzi da saldare collegati alla macchina quando la macchina è accesa. Mantenetevi isolati elettricamente da elettrodo, morsetto e pezzi collegati a questo.</p>
	<p><b>MACCHINA CON ALIMENTAZIONE ELETTRICA:</b> Togliere l'alimentazione con l'interruttore ai fusibili prima di svolgere operazioni su questa macchina. Mettere la macchina a terra secondo le normative vigenti.</p>
	<p><b>MACCHINA CON ALIMENTAZIONE ELETTRICA:</b> Ispezionare periodicamente i cavi di alimentazione, all'elettrodo e al pezzo. Se si riscontrano danni all'isolamento sostituire immediatamente il cavo. Non posare la pinza portaelettrodo direttamente sul banco di saldatura o qualsiasi altra superficie in contatto con il morsetto di massa per evitare un innesco involontario dell'arco.</p>
	<p><b>I CAMPI ELETTRICI E MAGNETICI POSSONO ESSERE PERICOLOSI:</b> Il passaggio di corrente elettrica in un conduttore produce campi elettromagnetici. Questi campi possono interferire con alcuni cardiostimolatori ("pacemaker") e i saldatori con un cardiostimolatore devono consultare il loro medico su possibili rischi prima di impiegare questa macchina.</p>
	<p><b>CONFORMITÀ CE:</b> Questa macchina è conforme alle Direttive Europee.</p>
	<p><b>FUMI E GAS POSSONO ESSERE PERICOLOSI:</b> La saldatura può produrre fumi e gas dannosi alla salute. Evitate di respirare questi fumi e gas. Per evitare il pericolo l'operatore deve disporre di una ventilazione o di un'estrazione di fumi e gas che li allontanino dalla zona in cui respira.</p>
	<p><b>I RAGGI EMESSI DALL'ARCO BRUCIANO:</b> Usate una maschera con schermatura adatta a proteggervi gli occhi da spruzzi e raggi emessi dall'arco mentre saldate o osservate la saldatura. Indossare indumenti adatti in materiale resistente alla fiamma per proteggere il corpo, sia vostro che dei vostri aiutanti. Le persone che si trovano nelle vicinanze devono essere protette da schermature adatte, non infiammabili, e devono essere avvertite di non guardare l'arco e di non esporvisi.</p>
	<p><b>GLI SPRUZZI DI SALDATURA POSSONO PROVOCARE INCENDI O ESPLOSIONI:</b> Allontanare dall'area di saldatura quanto può prendere fuoco e tenere a portata di mano un estintore. Gli spruzzi o altri materiali ad alta temperatura prodotti dalla saldatura attraversano con facilità eventuali piccole aperture raggiungendo le zone vicine. Non saldare su serbatoi, bidoni, contenitori o altri materiali fino a che non si sia fatto tutto il necessario per assicurarsi dell'assenza di vapori infiammabili o nocivi. Non impiegare mai questa macchina se vi è presenza di gas e/o vapori infiammabili o combustibili liquidi.</p>
	<p><b>I MATERIALI SALDATI BRUCIANO:</b> Il processo di saldatura produce moltissimo calore. Ci si può bruciare in modo grave con le superfici e materiali caldi della zona di saldatura. Impiegare guanti e pinze per toccare o muovere materiali nella zona di saldatura.</p>



**MARCHIO DI SICUREZZA:** Questa macchina è adatta a fornire energia per operazioni di saldatura svolte in ambienti con alto rischio di folgorazione elettrica.

## Installazione e Istruzioni Operative

Leggere tutta questa sezione prima di installare e impiegare la macchina.

### Collocazione e ambiente

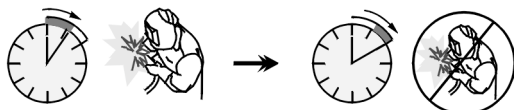
Questa macchina è in grado di funzionare in ambienti difficili. E' comunque importante seguire delle semplici misure di prevenzione per garantirne una lunga durata e un funzionamento affidabile.

- Non collocare o impiegare la macchina su superfici inclinate più di 15° rispetto all'orizzontale.
- Non usare questa macchina per sgelare tubi.
- La macchina va collocata ove vi sia una circolazione di aria pulita senza impedimenti al suo movimento in entrata e uscita dalle feritoie. Non coprire la macchina con fogli di carta, panni o stracci quando è accesa.
- Tenere al minimo polvere e sporco che possano entrare nella macchina.
- Questa macchina ha una protezione di grado IP23. Tenetela più asciutta possibile e non posatela su suolo bagnato o dentro pozzanghere.
- Disponete la macchina lontana da macchinari controllati via radio. Il suo funzionamento normale può interferire negativamente sul funzionamento di macchine controllate via radio poste nelle vicinanze, con conseguenze di infortuni o danni materiali. Leggete la sezione sulla compatibilità elettromagnetica di questo manuale.
- Non impiegate la macchina in zone ove la temperatura ambiente supera i 40°C.

### Fattore di Intermittenza e Surriscaldamento

Il fattore di intermittenza della saldatrice è la percentuale di tempo su un periodo di 10 minuti dove è possibile saldare alla corrente nominale di saldatura (vedi sezione "Specifiche Tecniche").

Fattore di intermittenza 60%:

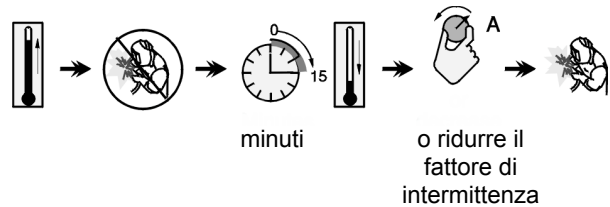


saldatura per 6 minuti

interruzione per 4 minuti

Un prolungamento eccessivo del fattore di intermittenza può causare l'intervento del circuito di protezione termica.

La saldatrice è protetta contro l'eccessivo surriscaldamento da un termostato. Quando la macchina è surriscaldata l'erogazione di corrente per la saldatura è disattivata e la spia che indica la protezione termica sul cruscotto frontale della saldatrice è accesa. Quando la macchina si è opportunamente raffreddata la spia "protezione termica" si spegne e la saldatrice riprende a lavorare normalmente.



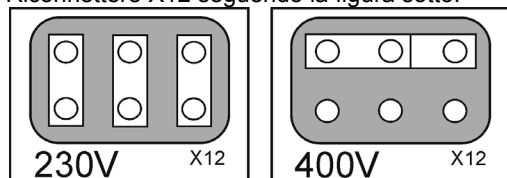
### Collegamento all'alimentazione

L'installazione e la connessione all'alimentazione deve essere eseguita e protetta in accordo con le regole dedicate.

Prima di accendere la macchina controllate tensione, fase e frequenza di alimentazione. Verificate il collegamento del cavo di terra fra macchina e fonte di alimentazione. Le tensioni di alimentazione ammesse sono 3x230V e 3x400V 50Hz (400V: impostazione di fabbrica). Per maggiori informazioni sui dati di alimentazione fare riferimento alla sezione "Specifiche tecniche" di questo manuale e sulla targa della macchina.

Se è necessario cambiare la tensione di alimentazione:

- Assicurarsi che il cavo di alimentazione sia disconnesso dalla rete e che l'interruttore di accensione della macchina sia posizionato su "spento" (OFF).
- Rimuovere il pannello superiore della macchina.
- Riconnettere X12 seguendo la figura sotto.



- Riposizionare il pannello superiore.

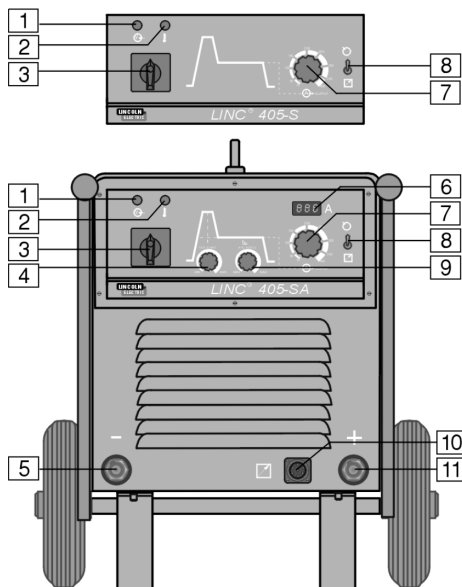
Assicuratevi che l'alimentazione fornisca una potenza sufficiente per il funzionamento normale della macchina. Nella sezione "Specifiche tecniche" di questo manuale sono indicate le dimensioni necessarie per i fusibili ritardati (o interruttori automatici con caratteristica tipo "D") e cavi.

Riferirsi ai punti 1, 3, 12 e 13 delle immagini sotto.

### Collegamenti in uscita

Riferirsi ai punti 5, 10 e 11 delle immagini sotto.

## Comandi e possibilità operative



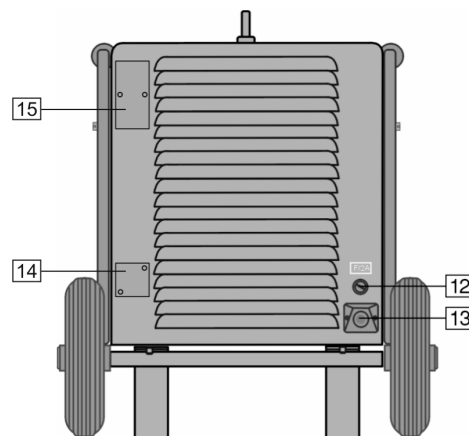
1. **Spia di accensione:** Dopo la connessione all'alimentazione e con l'interruttore principale posizionato su ON, questa spia si accende per indicare che la macchina è pronta a saldare.
2. **Spia protezione termica:** Questa spia si accende quando la macchina è surriscaldata e il circuito di saldatura è disattivato. Questo può accadere quando la temperatura ambiente è sopra 40°C o quando si eccede con il fattore di intermittenza. Lasciare la macchina accesa per permettere il raffreddamento della componentistica interna, quando la spia si spegne le normali operazioni sono nuovamente possibili.
  - **Ventilatore controllato da termostato:** Il ventilatore è additionally controllato dal circuito di protezione termica. Questa caratteristica permette un risparmio di energia e contemporaneamente riduce la quantità di polvere e sporcizia all'interno della macchina.

Il ventilatore è operativo solo quando il raffreddamento è richiesto.

3. **Interruttore Acceso / Spento:** Controlla l'accensione e lo spegnimento della macchina.
4. **Comando Hot Start (solo LINC 405-SA):** Hot Start è un temporaneo incremento della corrente d'uscita alla partenza della saldatura in stick (MMA); questo incremento permette un arco rapido ed affidabile. Tramite il potenziometro è possibile regolare il livello di Hot Start.
5. **Preso Rapida Negativa:** Connessione rapida per cavi di saldatura; polo negativo.
6. **Amperometro Digitale con Memoria (solo LINC 405-SA):** Indica la corrente di saldatura durante la saldatura. Dopo la saldatura continua a indicare il valor medio della corrente erogata.
7. **Comando Corrente di Saldatura:** Questo

potenziometro regola la corrente (anche durante la saldatura), da 15A a 400A.

8. **Interruttore Locale / Remoto:** Una unità di controllo remoto K10095-1-15M o K870 può essere utilizzata con questa macchina. Questo interruttore sposta la gestione della corrente di saldatura (punto 7) all'unità di controllo remoto e viceversa.
9. **Comando Arc Force (solo LINC 405-SA):** E' una funzione utilizzata durante la saldatura ad elettrodo (MMA); la corrente di saldatura viene temporaneamente incrementata per prevenire l'incollatura dell'elettrodo sul pezzo durante il normale processo di saldatura.
10. **Connessione Controllo Remoto:** Se è usato un controllo remoto, deve essere connesso a questo connettore.
11. **Preso Rapida Positiva:** Connessione rapida per cavi di saldatura; polo positivo.



12. **Fusibile:** Questo fusibile protegge il circuito del ventilatore.
13. **Preso di alimentazione:** Connettere la spina al cavo di alimentazione che è dimensionato per le caratteristiche della macchina indicate in questo manuale, conformemente alle normative vigenti. Il collegamento deve essere eseguito solo da personale che abbia gli appositi requisiti.
14. **Foro con coperchio:** Per presa 48Vac K14027-1.
15. **Foro con coperchio:** Per l'interruttore che protegge la presa 48Vac K14027-1.

## Saldatura ad elettrodo (MMA)

Per saldare ad elettrodo (MMA) è necessario:

- Inserire e ruotare le spine dei cavi di saldatura per bloccarle nelle apposite prese.
- Connettere il cavo massa al pezzo da saldare con l'apposita pinza.
- Inserire un corretto elettrodo rivestito nella pinza porta-elettrodo.
- Collegare la spina di alimentazione alla sorgente di alimentazione.
- Posizionare l'interruttore Locale / Remoto nella posizione richiesta: Locale o Remoto.
- Accendere la macchina, mediante l'interruttore di alimentazione.

- Impostare la corrente di saldatura richiesta utilizzando il Comando Corrente di Saldatura.
- Rispettare le regole appropriate prima di iniziare a saldare.

a bassa pressione per rimuovere la polvere dall'involucro esterno e dall'interno.

- Controllare e ristringere tutte le viti.

## Manutenzione

### AVVERTENZA

Per ogni operazione di manutenzione o riparazione si raccomanda di rivolgersi al più vicino centro di assistenza tecnica della Lincoln Electric. Manutenzioni o riparazioni effettuate da personale o centri di servizio non autorizzati fanno decadere la garanzia del fabbricante.

La frequenza delle operazioni di manutenzione può essere variata in funzione dell'ambiente in cui la macchina si trova a lavorare.

Qualsiasi danno venga notato va immediatamente riferito a chi di dovere.

### Manutenzione corrente (quotidiana)

- Controllare che cavi e collegamenti siano integri. Sostituirli, se necessario.
- Controllare stato e funzionamento del ventilatore di raffreddamento. Mantenerne pulite le feritoie.

### Manutenzione periodica (ogni 200 ore di lavoro, ma non meno di una volta all'anno)

Eseguire la manutenzione corrente e, in aggiunta:

- Pulire la macchina. Usare un getto d'aria asciutto e

### AVVERTENZA

Prima di svolgere qualsiasi operazione di manutenzione e servizio staccare la macchina dalla rete di alimentazione. Dopo ogni riparazione, eseguire le prove necessarie ad assicurare la sicurezza.

## Compatibilità Elettromagnetica (EMC)

11/04

Questa macchina è stata progettata nel rispetto di tutte le direttive e normative in materia. Tuttavia può generare dei disturbi elettromagnetici che possono interferire con altri sistemi come le telecomunicazioni (telefono, radio o televisione) o altri sistemi di sicurezza. I disturbi possono provocare problemi nella sicurezza dei sistemi interessati. Leggete e comprendete questa sezione per eliminare o ridurre il livello dei disturbi elettromagnetici generati da questa macchina.



La macchina è stata progettata per funzionare in ambienti di tipo industriale. Il suo impiego in ambienti domestici richiede particolari precauzioni per l'eliminazione dei possibili disturbi elettromagnetici. L'operatore deve installare e impiegare la macchina come precisato in questo manuale. Se si riscontrano disturbi elettromagnetici l'operatore deve porre in atto azioni correttive per eliminarli, avvalendosi, se necessario, dell'assistenza della Lincoln Electric.

Prima di installare la macchina, controllate se nell'area di lavoro vi sono dispositivi il cui funzionamento potrebbe risultare difettoso a causa di disturbi elettromagnetici. Prendete in considerazione i seguenti:

- Cavi di entrata o di uscita, cavi di controllo e cavi telefonici collocati nell'area di lavoro, presso la macchina o nelle adiacenze di questa.
- Trasmettitori e/o ricevitori radio o televisivi. Computers o attrezzature controllate da computer.
- Impianti di sicurezza e controllo per processi industriali. Attrezzature di taratura e misurazione.
- Dispositivi medici individuali come cardiostimolatori (pacemakers) o apparecchi acustici.
- Verificare che macchine e attrezzature funzionanti nell'area di lavoro o nelle vicinanze siano immuni da possibili disturbi elettromagnetici. L'operatore deve accertare che tutte le attrezzature e dispositivi nell'area siano compatibili. A questo scopo può essere necessario disporre misure di protezione aggiuntive.
- L'ampiezza dell'area di lavoro da prendere in considerazione dipende dalla struttura dell'area e dalle altre attività che vi si svolgono.

Per ridurre le emissioni elettromagnetiche della macchina tenete presenti le seguenti linee guida.

- Collegare la macchina alla fonte di alimentazione come indicato da questo manuale. Se vi sono disturbi, può essere necessario prendere altre precauzioni, come un filtro sull'alimentazione.
- I cavi in uscita vanno tenuti più corti possibile e l'uno accanto all'altro. Se possibile mettere a terra il pezzo per ridurre le emissioni elettromagnetiche. L'operatore deve controllare che questa messa a terra non provochi problemi o pericoli alla sicurezza del personale e della macchina e attrezzature.
- Si possono ridurre le emissioni elettromagnetiche schermando i cavi nell'area di lavoro. Per impieghi particolari questo può diventare necessario.

## Specifiche Tecniche

<b>ALIMENTAZIONE</b>			
Tensione di alimentazione 230 / 400V ± 10% Trifase	Potenza assorbita per uscita nominale 34 kVA per fattore di intermittenza 35%	Frequenza 50 Hz	
<b>USCITA NOMINALE a 40°C</b>			
Fattore di intermittenza (su periodo di 10 minuti) 35% 60% 100%	Corrente in uscita 400A 315A 240A	Tensione nominale in uscita 36.0 Vdc 33.0 Vdc 29.0 Vdc	
<b>USCITA</b>			
Gamma corrente di saldatura 15 – 400 A		Massima tensione a vuoto 78 Vdc	
<b>DIMENSIONI RACCOMANDATE PER CAVI E FUSIBILI</b>			
Gamma corrente di saldatura 63A Ritardato (alimentazione 230V) 40A Ritardato (alimentazione 400V)		Cavo di alimentazione 4 conduttori da 6 mm <sup>2</sup>	
<b>DATI FISICI – DIMENSIONI</b>			
Altezza 640 mm	Larghezza 580 mm	Lunghezza 1150 mm (700 mm senza maniglie)	Peso 126 Kg
Temperatura di impiego -10°C a +40°C		Temperatura di immagazzinamento -25°C a +55°C	

# Sicherheitsmaßnahmen / Unfallschutz

02/05



## ACHTUNG

Diese Anlage darf nur von ausgebildetem Fachpersonal genutzt, gewartet und repariert werden. Schließen Sie dieses Gerät nicht an, arbeiten Sie nicht damit oder reparieren Sie es nicht, bevor Sie diese Betriebsanleitung gelesen und verstanden haben. Bei Nichtbeachtung der Hinweise kann es zu gefährlichen Verletzungen bis hin zum Tod oder zu Beschädigungen am Gerät kommen. Beachten Sie auch die folgenden Beschreibungen der Warnhinweise. Lincoln Electric ist nicht verantwortlich für Fehler, die durch inkorrekte Installation, mangelnde Sorgfalt oder Fehlbenutzung des Gerätes entstehen.

	<b>ACHTUNG:</b> Dieses Symbol gibt an, dass die folgenden Hinweise beachtet werden müssen, um gefährliche Verletzungen bis hin zum Tode oder Beschädigungen am Gerät zu verhindern. Schützen Sie sich und andere vor gefährlichen Verletzungen oder dem Tode.
	<b>BEACHTEN SIE DIE ANLEITUNG:</b> Lesen Sie diese Anleitung sorgfältig, bevor Sie das Gerät in Betrieb nehmen. Bei Nichtbeachtung der Hinweise kann es zu gefährlichen Verletzungen bis hin zum Tod oder zu Beschädigungen am Gerät kommen.
	<b>STROMSCHLÄGE KÖNNEN TÖDLICH SEIN:</b> Schweißgeräte erzeugen hohe Stromstärken. Berühren Sie keine stromführenden Teile oder die Elektrode mit der Haut oder nasser Kleidung. Schützen Sie beim Schweißen Ihren Körper durch geeignete isolierende Kleidung und Handschuhe.
	<b>ELEKTRISCHE GERÄTE:</b> Schalten Sie die Netzspannung am Sicherungskasten aus oder ziehen Sie den Netzstecker, bevor Arbeiten an der Maschine ausgeführt werden. Erden Sie die Maschine gemäß den geltenden elektrischen Bestimmungen.
	<b>ELEKTRISCHE GERÄTE:</b> Achten Sie regelmäßig darauf, dass Netz-, Werkstück- und Elektrodenkabel in einwandfreiem Zustand sind und tauschen Sie diese bei Beschädigung aus. Legen Sie den Elektrodenhalter niemals auf den Schweißarbeitsplatz, damit es zu keinem ungewollten Lichtbogen kommt.
	<b>ELEKTRISCHE UND MAGNETISCHE FELDER BERGEN GEFAHREN:</b> Elektrischer Strom, der durch ein Kabel fließt, erzeugt ein elektrisches und magnetisches Feld (EMF). EMF Felder können Herzschrittmacher beeinflussen. Bitte fragen Sie Ihren Arzt, wenn Sie einen Herzschrittmacher haben, bevor Sie dieses Gerät benutzen.
	<b>CE Konformität:</b> Dieses Gerät erfüllt die CE-Normen.
	<b>RAUCH UND GASE KÖNNEN GEFÄHRLICH SEIN:</b> Schweißen erzeugt Rauch und Gase, die gesundheitsschädlich sein können. Vermeiden Sie das Einatmen dieser Metalldämpfe. Benutzen Sie eine Schweißrauchabsaugung, um die Dämpfe abzusaugen.
	<b>LICHTBÖGEN KÖNNEN VERBRENNUNGEN HERVORRUFEN:</b> Tragen Sie geeignete Schutzkleidung und Schutzmasken für Augen, Ohren und Körper, um sich vor Spritzern und Strahlungen zu schützen. Warnen Sie auch in der Umgebung befindliche Personen vor den Gefahren des Lichtbogens. Lassen Sie niemanden ungeschützt den Lichtbogen beobachten.
	<b>SCHWEISSPRITZER KÖNNEN FEUER ODER EXPLOSIONEN VERURSACHEN:</b> Entfernen Sie feuergefährliche Gegenstände vom Schweißplatz und halten Sie einen Feuerlöscher bereit. Schweißen Sie keine Behälter, die brennbare oder giftige Stoffe enthalten, bis diese vollständig geleert und gesäubert sind. Schweißen Sie niemals an Orten, an denen brennbare Gase, Stoffe oder Flüssigkeiten vorhanden sind.
	<b>GESCHWEISSTE MATERIALIEN KÖNNEN VERBRENNUNGEN VERURSACHEN:</b> Schweißen verursacht hohe Temperaturen. Heiße Materialien können somit ernsthafte Verbrennungen verursachen. Benutzen Sie Handschuhe und Zangen, wenn Sie geschweißte Materialien berühren oder bewegen.
	<b>S-ZEICHEN:</b> Dieses Gerät darf Schweißstrom in Umgebungen mit erhöhter elektrischer Gefährdung liefern.

# Installation und Bedienungshinweise

Bitte diesen Abschnitt vor Montage und Inbetriebnahme der Maschine vollständig durchlesen.

## Aufstellungsort und -umgebung

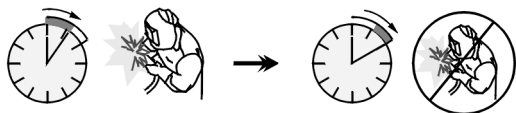
Diese Maschine kann auch bei ungünstigen Umgebungsbedingungen betrieben werden. Jedoch sind dabei die folgenden Vorsichtsmaßnahmen zu beachten, um einen sicheren Betrieb und eine lange Lebensdauer der Maschine zu gewährleisten.

- Die Maschine darf nicht auf einer schrägen Fläche aufgestellt oder betrieben werden, die eine Neigung von mehr 15° aufweist.
- Die Maschine darf nicht zum Auftauen von Rohren verwendet werden.
- Am Aufstellungsort der Maschine ist auf ausreichende Frischluftzirkulation zu achten. Der Luftstrom zu den Be- und Entlüftungsöffnungen darf nicht behindert werden. Die Maschine bei Betrieb nicht mit Papier, Stoff oder Putzklappen abdecken.
- Schmutz und Staub sind soweit wie möglich von der Maschine fernzuhalten.
- Die Maschine verfügt über Schutzart IP23 und ist daher so weit wie möglich trocken zu halten. Sie darf nicht auf feuchtem oder nassem Untergrund aufgestellt werden.
- Die Maschine nicht in der Nähe funk- oder ferngesteuerter Geräte aufstellen. Der Maschinenbetrieb könnte die Funktion von sich in der Nähe befindlichen funk- und ferngesteuerten Geräten so weit beeinflussen, dass Verletzungen des Bedienpersonals und Schäden an den Geräten die Folge sein können. Bitte beachten Sie hierzu auch den Abschnitt bezüglich der elektromagnetischen Verträglichkeit in dieser Betriebsanleitung.
- Die Maschine nicht bei Umgebungstemperaturen von mehr als 40°C in Betrieb nehmen.

## Einschaltdauer und Überhitzungsschutz

Die Einschaltdauer ist die Zeit in Prozent von 10 Min., bei der mit der eingestellten Stromstärke ununterbrochen geschweißt werden kann.

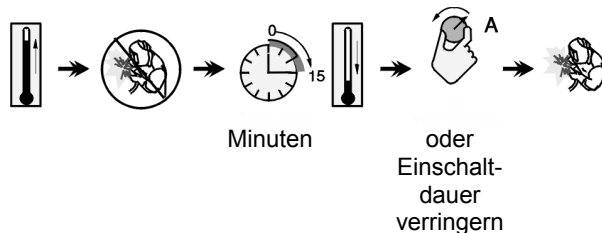
60% Einschaltdauer:



6 Minuten Schweißen. 4 Minuten Unterbrechung.

Eine Überschreitung der Einschaltdauer aktiviert den thermischen Schutz.

Das Gerät wird durch einen Thermoschutz vor Überhitzung geschützt. Bei Überhitzung schaltet es ab und die thermische Warnleuchte leuchtet auf. Ist das Gerät abgekühlt, erlischt die Warnleuchte und die Maschine kann wieder eingeschaltet werden.



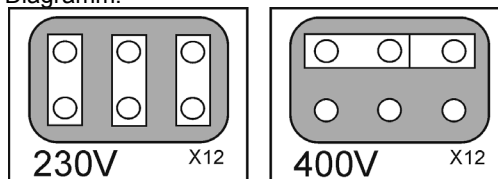
## Anschluss an die Stromversorgung

Installation und Stromanschluss müssen vorschriftsmäßig ausgeführt werden.

Überprüfen Sie Netzeingangsspannung, Phase und Frequenz der Netzversorgung, bevor Sie die Maschine in Betrieb nehmen. Prüfen Sie die Erdverbindung der Maschine zum Netzeingang. Die zugelassenen Eingangsspannungen sind 3x230V und 3x400V, 50Hz (400V: Herstellereinstellung). Für weitere Informationen lesen Sie bitte die technischen Daten in dieser Bedienungsanleitung und das Typenschild der Maschine.

Bei Änderung der Eingangsspannung:

- Vergewissern Sie sich, daß das Netzkabel von der Stromquelle abgekoppelt und die Maschine ausgeschaltet ist.
- Entfernen Sie die Abdeckung.
- Verbinden Sie X12 wie im untenstehenden Diagramm.



- Bringen Sie die Abdeckung wieder an.

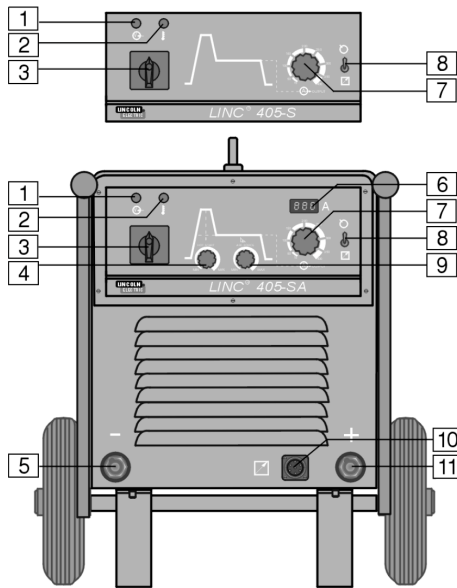
Eine ausreichende Spannungs- und Stromversorgung für den Normalbetrieb der Maschine ist zu gewährleisten. Die vorzusehende Sicherung (oder Schutzschalter mit Kenngröße "D") sowie die Kabelabmessungen sind in den technischen Spezifikationen dieser Betriebsanleitung angegeben.

Sh. auch Punkte 1, 3, 12 und 13 der u.a. Abbildungen.

## Ausgangsverbindungen

Sh. Punkte 5, 10 und 11 der u.a. Abbildungen.

## Steuerung und Funktion

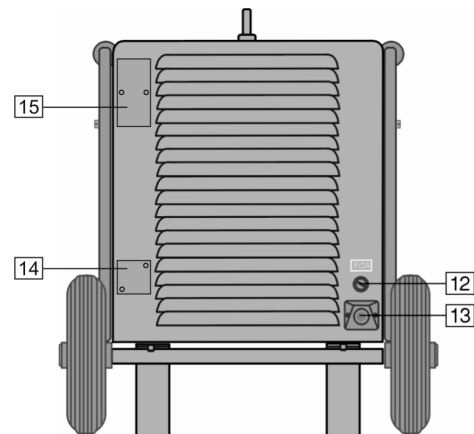


1. **Spannungsanzeige:** Nach Anschluss an die Stromversorgung und nach Einschalten des Netzschalters leuchtet diese Lampe auf, um die Betriebsbereitschaft der Maschine anzuzeigen.
2. **Thermische Überhitzungs-Warnleuchte:** Diese Leuchte brennt, wenn die Maschine überhitzt ist und die Ausgangsleistung abgeschaltet ist. Das kann eintreten, wenn die Umgebungstemperatur 40°C überschreitet, oder wenn die Einschaltedauer der Maschine überschritten ist. Lassen Sie das Gerät eingeschaltet. So können die internen Komponenten abkühlen. Wenn die Warnleuchte erlischt, kann das Gerät wieder benutzt werden.
  - **Thermischer Ventilator:** Der Ventilator wird zusätzlich vom thermischen Schutzkreis kontrolliert. Dies spart Energie und verringert die Menge Staub und schwebende Partikel, die in die Maschine hineingesogen werden.

**Der Ventilator ist nur dann eingeschaltet, wenn Kühlung notwendig ist.**

3. **Netzschalter EIN/AUS:** Steuert die Stromversorgung zur Maschine.
4. **„Heiß-Start“-Steuerung (nur LINC 405-SA):** Der „Heiß-Start“ erhöht für kurze Zeit den Strom beim Start des Stabelektrodenschweißens (MMA). Der Stromwert ist einstellbar.
5. **Negativschnelltrennschalter:** Negativer Ausgangstrennschalter für den Schweißstromkreis.
6. **Digitaler Stromanzeiger mit Speicher (nur LINC 405-SA):** Zeigt den aktuellen Stromwert während des Schweißens. Nach dem Schweißen zeigt er den Durchschnitts-Stromwert.
7. **SchweißstromEinstellung:** Mit dem Potentiometer kann der Schweißstrom von 15 A – 400 A auch während des Schweißens geregelt werden.

8. **Lokal-/Fernregel-Schalter:** Die Fernregler K10095-1-15M und K870 können an diese Maschine angeschlossen werden. Damit wechselt die Steuerung (Regelung) des Ausgangs-Stroms von der Maschine (Punkt 7) zum K10095-1-15M oder K870 und umgekehrt.
9. **Lichtbogensteuerung (nur LINC 405-SA):** Diese Funktion wird während des Stabelektrodenschweißens (MMA) verwendet. Dabei wird der Ausgangsstrom für kurze Zeit erhöht, um die Kurzschlussverbindung zwischen Elektrode und Schweißbad zu trennen, die beim Schweißvorgang entstehen können.
10. **Fernsteuerungsanschluss:** Wenn eine Fernsteuerung verwendet wird, so ist diese an den Anschluss für die Fernsteuerung anzuschließen.
11. **Positivschnelltrennschalter:** Positiver Ausgangsschnelltrennschalter für den Schweißstromkreis.



12. **Sicherung:** Diese Sicherung schützt den Stromkreis des Ventilators.
13. **Stromeingang:** Verbinden Sie die Stromquelle mit dem Eingangskabel, das für diese Maschine geeignet ist (in dieser Anleitung angegeben). Diese Verbindung darf nur von Fachpersonal vorgenommen werden.
14. **Blindstopfen:** Für 48V Wechselstrom-Steckerbuchse K14027-1.
15. **Blindstopfen:** Für Stromkreis-Absicherung (48V Wechselstrom-Steckerbuchse K14027-1).

## Stabelektrodenschweißen (MMA)

Vor Start des Stabelektrodenschweißvorgangs (MMA) sind die folgenden Punkte zu beachten:

- Verbinden Sie die Schweißkabelanschlüsse mit den Ausgangsanschlüssen und drehen Sie diese, bis sie fest sitzen.
- Arbeitskabel an Schweißstück mittels Arbeitsklemme anschließen.
- Eine korrekt umhüllte Elektrode am Elektrodenhalter befestigen.
- Netzstecker an Stromversorgung anschließen.
- Den Orts-/Fernschalter auf gewünschte Position schalten: Örtliche oder Fernbetätigung.
- Netzschalter einschalten.



- Den erforderlichen Schweißstrom mittels Ausgangsstromsteuerungsregler einstellen.
- Unter Einhaltung der entsprechenden Arbeitsregeln kann nun mit dem Schweißvorgang begonnen werden.

## Wartung

### **WARNUNG**

Für Wartung und Reparatur des Gerätes konsultieren Sie bitte Ihren Fachhändler oder die Lincoln Electric. Eine unsachgemäß durchgeführte Wartung oder Reparatur durch eine nicht qualifizierte Person führt zum Erlöschen der Garantie.

Die Wartungsintervalle können abhängig von den Arbeitsbedingungen der Maschine schwanken.

Ein schwerwiegender Schaden ist unverzüglich zu melden.

### Laufende Wartung (täglich)

- Überprüfen der Kabel und aller Anschlüsse. Ersetzen Sie diese, wenn erforderlich.
- Überprüfen Sie Zustand und Betrieb des Lüfters – halten Sie dessen Lüftungsschlitze frei und sauber.

### Periodische Wartung (alle 20 Betriebsstunden, mindestens einmal im Jahr)

Zusätzlich zur laufenden Wartung sind folg. Arbeiten durchzuführen:

- Halten Sie die Maschine sauber. Verwenden Sie einen trockenen Luftstrom mit geringem Luftdruck. Entfernen Sie den Staub von der äußeren Abdeckung und aus dem Innern des Gehäuses.
- Überprüfen Sie alle Schrauben auf festen Sitz und ziehen Sie diese nach, wenn erforderlich.

### **WARNUNG**

Die Maschine muß während der Durchführung der Wartungsarbeiten vom Netz getrennt sein. Nach jeder Reparatur sind geeignete Tests durchzuführen, um die Betriebssicherheit zu überprüfen.

## Elektromagnetische Verträglichkeit (EMC)

11/04

Diese Maschine wurde unter Beachtung aller zugehörigen Normen und Vorschriften gebaut. Dennoch kann es unter besonderen Umständen zu elektromagnetischen Störungen anderer elektronischer Systeme (z.B. Telefon, Radio, TV, Computer usw.) kommen. Diese Störungen können im Extremfall zu Sicherheitsproblemen der beeinflussten Systeme führen. Lesen Sie deshalb diesen Abschnitt aufmerksam durch, um das Auftreten elektromagnetischer Störungen zu reduzieren oder ganz zu vermeiden.



Diese Maschine ist für den industriellen Einsatz konzipiert worden. Bei Benutzung dieser Anlage in Wohngebieten sind daher besondere Vorkehrungen zu treffen, um Störungen durch elektromagnetische Beeinflussungen zu vermeiden. Halten Sie sich stets genau an die in dieser Bedienungsanleitung genannten Einsatzvorschriften. Falls dennoch elektromagnetische Störungen auftreten, müssen geeignete Gegenmaßnahmen getroffen werden. Kontaktieren Sie gegebenenfalls den Kundendienst der Lincoln Electric. Technische Änderungen der Anlage sind nur nach schriftlicher Genehmigung des Herstellers zulässig.

Vergewissern Sie sich vor der Inbetriebnahme des Schweißgerätes, dass sich keine für elektromagnetische Störungen empfindlichen Geräte und Anlagen im möglichen Einflussbereich befinden. Dies gilt besonders für:

- Steuerleitungen, Datenkabel und Telefonleitungen.
- Radio und Televisions-Sender oder -Empfänger sowie deren Kabelverbindungen. Computer oder computergesteuerte Anlagen.
- Elektronische Sicherheitseinrichtungen und Steuereinheiten für industrielle Anlagen. Elektronische Mess- und Kalibriereinrichtungen.
- Medizinische Apparate und Geräte, Hörgeräte oder persönliche Implantate wie Herzschrittmacher usw. Achtung! Informieren Sie sich vor Inbetriebnahme der Anlage in der Nähe von Kliniken und Krankenhäusern über die hierzu gültigen Vorschriften, und sorgen Sie für die exakte Einhaltung aller erforderlichen Sicherheitsmaßnahmen!
- Prüfen Sie grundsätzlich die elektromagnetische Verträglichkeit von Geräten, die sich im Einflussbereich der Schweißanlage befinden.
- Dieser Einflussbereich kann in Abhängigkeit der physikalischen Umstände in seiner räumlichen Ausdehnung stark variieren.

Befolgen Sie zusätzlich die folgenden Richtlinien um elektromagnetische Abstrahlungen zu reduzieren:

- Schließen Sie die Maschine stets nur wie beschrieben an. Falls dennoch Störungen auftreten, muss eventuell ein zusätzlicher Netzfilter eingebaut werden.
- Halten Sie die Länge der Schweißkabel möglichst auf ein erforderliches Mindestmaß begrenzt. Wenn möglich, sollte das Werkstück separat geerdet werden. Beachten Sie stets bei allen Maßnahmen, dass hierdurch keinerlei Gefährdung von direkt oder indirekt beteiligten Menschen verursacht wird.
- Abgeschirmte Kabel im Arbeitsbereich können die elektromagnetische Abstrahlung reduzieren. Dies kann je nach Anwendung notwendig sein.

## Technische Daten

<b>Netzeingang</b>			
Netzeingangsspannung 230 / 400V ± 10% Dreiphasig	Leistungsaufnahme 34 kVA @ 35% ED	Frequenz 50 Hertz (Hz)	
<b>Leistungsdaten bei 40°C Umgebungstemperatur</b>			
Einschaltdauer (basierend auf 10min-Zyklus)	Ausgangsstromstärke	Ausgangsspannung	
35%	400 A	36.0 V DC	
60%	315 A	33.0 V DC	
100%	240 A	29.0 V DC	
<b>Ausgangsleistung</b>			
Schweißstrombereich 15 – 400 A		Maximale Leerlaufspannung 78 Vdc	
<b>Primärkabelquerschnitte und Absicherung</b>			
Sicherung oder Sicherungsautomat 63A träge (230V Eingangsspannung) 40A träge (400V Eingangsspannung)		Primärkabel 4 Adern, 6mm <sup>2</sup>	
<b>Abmessungen und Gewicht</b>			
Höhe 640 mm	Breite 580 mm	Länge 1150 mm (700 mm ohne Griffe)	Gewicht 126 Kg
Zulässige Umgebungstemperaturen -10°C bis +40°C		Zulässige Lagerungstemperaturen -25°C bis +55°C	



## ATENCIÓN

Este equipo debe ser utilizado por personal cualificado. Asegúrese de que todos los procedimientos de instalación, funcionamiento, mantenimiento y reparación son realizados únicamente por personal cualificado. Lea y comprenda este manual antes de trabajar con el equipo. No seguir las instrucciones que se indican en este manual podría provocar lesiones personales de distinta gravedad, incluida la muerte o daños a este equipo. Lea y comprenda las explicaciones de los símbolos de advertencia, que se muestran a continuación. Lincoln Electric no se hace responsable de los daños producidos por una instalación incorrecta, una falta de cuidado o un funcionamiento inadecuado.

	¡PELIGRO!: Este símbolo indica qué medidas de seguridad se deben tomar para evitar lesiones personales de diferente gravedad, incluida la muerte, o daños a este equipo. Protéjase usted y a los demás contra posibles lesiones personales de distinta gravedad, incluida la muerte.
	LEA Y COMPRENDA LAS INSTRUCCIONES: Asimile el contenido de este manual de instrucciones antes de trabajar con el equipo. La soldadura al arco puede ser peligrosa. NO seguir las instrucciones que se indican en este manual podría provocar lesiones personales de distinta gravedad, incluida la muerte, o daños a este equipo.
	LA DESCARGA ELECTRICA PUEDE MATAR: Los equipos de soldadura generan voltajes elevados. No toque el electrodo, la pinza de masa, o las piezas a soldar cuando el equipo esté en marcha. Aíslese del electrodo, la pinza de masa, o las piezas en contacto cuando el equipo esté en marcha.
	EQUIPOS ELÉCTRICOS: Desconecte la alimentación del equipo desde el interruptor de red o desde la caja de fusibles antes de reparar o manipular el interior de este equipo. Conecte el tierra de este equipo de acuerdo con el reglamento eléctrico local.
	EQUIPOS ELÉCTRICOS: Inspeccione con regularidad los cables de red, electrodo y masa. Si hay algún daño en el aislamiento sustituya dicho cable inmediatamente. No coloque directamente la pinza portaelectrodos sobre la mesa de soldadura o sobre cualquier otra superficie que esté en contacto con la pinza de masa para evitar el riesgo de un cebado accidental del arco.
	LOS CAMPOS ELÉCTRICOS Y MAGNÉTICOS PUEDEN SER PELIGROSOS: La corriente eléctrica que circula a través de un conductor origina campos eléctricos y magnéticos (EMF) localizados. Los campos EMF pueden interferir con los marcapasos, las personas que utilicen estos dispositivos deben consultar a su médico antes de acercarse a una máquina de soldar.
	CUMPLIMIENTO CE: Este equipo cumple las directivas de la CEE.
	LOS HUMOS Y LOS GASES PUEDEN SER PELIGROSOS: La soldadura puede producir humos y gases peligrosos para la salud. Evite respirarlos. Utilice la suficiente ventilación y/o extracción de humos para mantener los humos y gases alejados de la zona de respiración.
	LA LUZ DEL ARCO PUEDE QUEMAR: Utilice una pantalla de protección con el filtro adecuado para proteger sus ojos de la luz y de las chispas del arco cuando se suelde o se observe una soldadura por arco abierto. Use ropa adecuada de material ignífugo para proteger la piel de las radiaciones del arco. Proteja a otras personas que se encuentren cerca del arco y/o adviértales que no miren directamente al arco ni se espongan a su luz o sus proyecciones.
	LAS PROYECCIONES DE SOLDADURA PUEDEN PROVOCAR UN INCENDIO O UNA EXPLOSIÓN: Retire del lugar de soldadura todos los objetos que presenten riesgo de incendio. Tenga un extintor de incendios siempre a mano. Recuerde que las chispas y las proyecciones calientes de la soldadura pueden pasar fácilmente por aberturas pequeñas. No caliente, corte o suelde tanques, tambores o contenedores hasta haber tomado las medidas necesarias para asegurar que tales procedimientos no van a producir vapores inflamables o tóxicos. No utilice nunca este equipo cuando haya presente gases inflamables, vapores o líquidos combustibles.
	LA SOLDADURA PUEDE QUEMAR: La soldadura genera una gran cantidad de calor. Las superficies calientes y los materiales en el área de trabajo pueden provocar quemaduras graves. Utilice guantes y pinzas para tocar o mover los materiales que haya en el área de trabajo.
	MARCAJE SEGURIDAD: Este equipo es adecuado como fuente de potencia para operaciones de soldadura efectuadas en un ambiente con alto riesgo de descarga eléctrica.

# Instalación e Instrucciones de Funcionamiento

Lea esta sección antes de la instalación y puesta en marcha del equipo.

## Emplazamiento y entorno

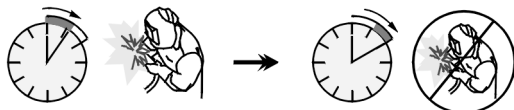
Esta máquina puede trabajar en ambientes agresivos. Sin embargo, es importante tener una serie de precauciones de manera que aseguren un funcionamiento duradero y fiable.

- No coloque ni haga funcionar la máquina sobre una superficie que tenga un ángulo de inclinación mayor de 15° desde la horizontal.
- No utilice esta máquina para precalentar tubos.
- Este equipo debe situarse en un lugar donde haya una buena circulación de aire limpio, sin restricciones de aire. Cuando esté funcionando no cubrirlo con papel, ropa o trapos.
- Se debe restringir al mínimo la entrada de polvo y suciedad en el interior de la máquina.
- Este equipo tiene un grado de protección IP23. Mantenerlo seco y no situarlo en suelos húmedos o en charcos.
- Coloque el equipo alejado de maquinaria que trabaje por radio control. El normal funcionamiento del equipo podría afectar negativamente a dichos equipos, provocando serias averías y daños en los mismos. Ver la sección compatibilidad electromagnética en este manual.
- No trabaje en zonas donde la temperatura ambiente supere los 40° C.

## Factor marcha y Sobrecalentamiento

El factor marcha de la máquina es el porcentaje de tiempo en ciclos de 10 minutos, durante el cual el operario puede hacer funcionar la máquina al valor nominal de la corriente de soldadura.

60% Factor marcha:

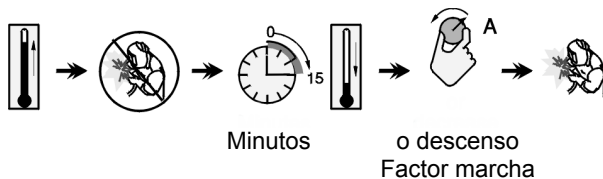


Soldando durante 6 min.

Parar durante 4 min.

Sobrepasar el tiempo de soldadura del factor marcha puede provocar que se active el circuito de protección térmica.

La máquina está protegida del sobrecalentamiento a través de un termostato. Cuando la máquina está sobrecalentada, la corriente de salida se desconectará "OFF" y la luz del indicador térmico se encenderá "ON" cuando la máquina se haya enfriado, la luz del indicador térmico se apagará y la máquina volverá a su funcionamiento normal.



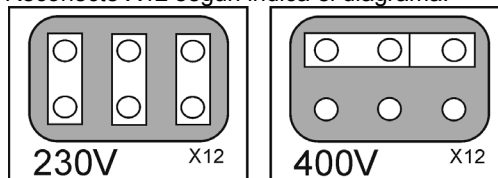
## Conexión a la red

Instalación y zócalos de salida principales que deberían protegerse de acuerdo a las normas.

Comprobar la tensión de red, fases, y frecuencia suministrada a la máquina antes de conectarla. Verificar la conexión del cable de tierra de la máquina a la toma de la red. La entrada de voltajes permitidos son 3x230V y 3x400V 50Hz (400V: preparada de fábrica). Para más información sobre el suministro de la entrada de corriente ver la sección de especificaciones técnicas de este manual o placa de características de esta máquina.

Si necesita efectuar el cambio de tensión en la máquina:

- Asegúrese de que el cable de entrada de corriente está desconectado de la entrada principal y la máquina está parada (OFF).
- Quite el panel superior de la máquina.
- Reconecte X12 según indica el diagrama.



- Recolecte el panel superior

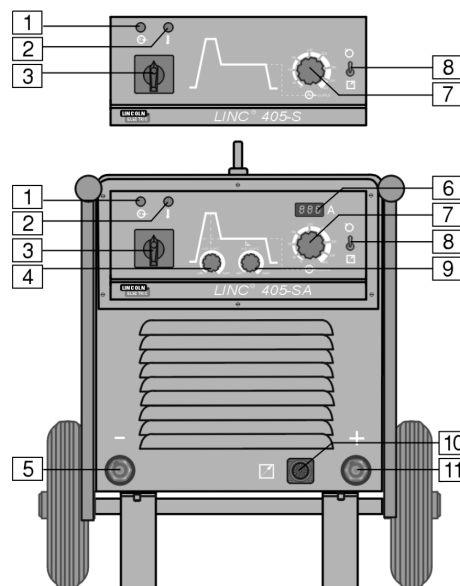
Asegúrese de que la potencia de entrada es la adecuada para el correcto funcionamiento de la máquina. Es necesario fusibles retardados (o interruptor magnetotérmico curvo tipo "D") y sección de cable indicados en las especificaciones técnicas de este manual.

Referente a los puntos 1, 3, 12 y 13 del dibujo inferior.

## Conexiones de salida

Referente a los puntos 5, 10 y 11 del dibujo inferior.

## Controles y Características de funcionamiento

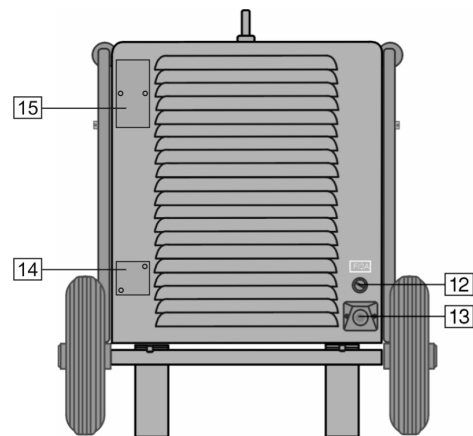


1. **Indicador de corriente:** Al girar el interruptor a la posición on, se encenderá una lámpara para indicar que la máquina está conectada y preparada para soldar.
2. **Indicador Sobrecarga Térmica:** Este indicador se iluminará cuando la máquina esté sobrecargada y la salida haya sido desconectada. Esto puede ocurrir si la temperatura ambiente está por encima de los 40°C o se ha sobrepasado el factor marcha. Dejar la máquina hasta que los componentes internos se enfrien, cuando la luz indicadora se apague, la máquina volverá a funcionar con normalidad.

- **Ventilador termostático:** Este ventilador está controlado adicionalmente por un circuito de protección térmica. Esta característica ahorra energía y minimiza la cantidad de suciedad y partículas que el aire pueda introducir en el interior de la máquina.

**Este ventilador funciona sólo si la máquina detecta que es necesario.**

3. **Interruptor corriente on/off:** Interruptor entrada de corriente a la máquina.
4. **Control Hot Start (sólo LINC 405-SA):** El Hot Start es un incremento temporal en la corriente de salida para ayudar rápidamente en el cebado del arco durante el inicio de la soldadura con electrodo recubierto (MMA). Este permite ajustar el nivel de la corriente incrementada.
5. **Desconexión rápida (1/4 v.) salida negativa:** Zócalo salida corriente negativa para el circuito de soldadura.
6. **Medidor Digital de Corriente de Soldadura con característica de memoria (sólo LINC 405-SA):** Muestra el valor actual de la corriente de soldadura durante la soldadura; una vez finalizada, sigue mostrando el display la corriente media de soldadura.
7. **Control corriente de salida:** Este potenciómetro se utiliza para ajustar la corriente de salida (también durante la soldadura) de 15A a 400A.
8. **Conmutador Local/Remoto:** El Control Remoto K10095-1-15M y K870 pueden utilizarse con esta máquina. Este conmutador cambia el control de la Corriente de Soldadura de la máquina (punto 7) al K10095-1-15M ó K870 y viceversa.
9. **Control Fuerza del Arco ( sólo LINC 405-SA ):** Esta función se utiliza durante la soldadura con electrodo recubierto (MMA) en la cual la corriente de salida es temporalmente incrementada para evitar los cortocircuitos entre el electrodo y el baño de soldadura que ocurre durante el proceso normal de soldadura.
10. **Conexión Control remoto:** Si se utiliza control remoto, éste deberá estar conectado al zócalo control remoto.
11. **Desconexión rápida (1/4 v.) salida positiva:** Zócalo salida corriente positiva para el circuito de soldadura.



12. **Fusible:** Este fusible protege el Circuito del Ventilador.
13. **Zócalo entrada corriente:** Conectar la clavija al cable de entrada de corriente, según lo indicado en este manual, y conforme a la aplicación estándar. Esta conexión debe ser efectuada sólo por personal cualificado.
14. **Tapeta:** Para zócalo 48Vac K14027-1.
15. **Tapeta:** Para disyuntor que protege el zócalo 48 Vac K14027-1.

## Soldadura con Electrodo recubierto (MMA)

Para soldar con electrodos recubiertos MMA, el método a seguir debe ser:

- Inserte la clavija del cable de soldadura en el zócalo de corriente de salida y gire hasta bloquearlo en él.
- Conectar el cable de masa a la pieza a soldar con la pinza masa.
- Sujetar correctamente el electrodo a la pinza.
- Conectar la clavija de red a la salida de la toma principal.
- Fijar el conmutador control remoto/local a la posición adecuada; local o remota.
- Girar el interruptor de corriente "on/off" en posición "on".
- Ajustar la corriente de soldadura apropiada por el botón de control salida corriente.
- Cumpliendo las normas apropiadas Vd. podrá empezar a soldar.

## Mantenimiento

### PRECAUCIÓN

Para cualquier tipo de trabajo de reparación o mantenimiento, se recomienda contacte con el servicio de asistencia técnica autorizado más cercano o con Lincoln Electric. Los trabajos de reparación o mantenimiento realizados por el personal o por servicios técnicos no autorizados anularán la garantía del fabricante.

La frecuencia de las operaciones de mantenimiento puede variar en función del ambiente de trabajo en el que se coloque la máquina.

Cualquier daño que se observe debe ser comunicado inmediatamente.

### Mantenimiento de rutina (cada día)

- Verificar la integridad de cables y conexiones. Cambiarlos si es necesario.
- Verificar estado y funcionamiento del ventilador de refrigeración. Mantenga limpias las rendijas de flujo de aire.

### Mantenimiento periódico (cada 200 horas de trabajo o una vez al año como mínimo)

Efectuar el mantenimiento de rutina y además:

- Mantenga limpia la máquina. Empleando flujo de aire seco (y de baja presión), quite el polvo de la carcasa externa y del interior.
- Compruebe y apriete todos los tornillos.

### PRECAUCIÓN

Desconectar la máquina del suministro de red antes de cada mantenimiento y servicio. Después de cada reparación, efectuar los ensayos adecuados para comprobar la seguridad.

## Compatibilidad Electromagnética (EMC)

11/04

Esta máquina ha sido diseñada de conformidad con todas las directivas y normas relativas a la compatibilidad electromagnética. Sin embargo, todavía podría generar interferencias electromagnéticas que pueden afectar a otros sistemas como son telecomunicaciones (teléfono, radio y televisión) u otros sistemas de seguridad. Estas interferencias pueden ocasionar problemas de seguridad en los sistemas afectados. Lea y comprenda esta sección para eliminar o al menos reducir los efectos de las interferencias electromagnéticas generadas por esta máquina.



Esta máquina ha sido diseñada para trabajar en zonas industriales. Para operar en una zona no industrial es necesario tomar una serie de precauciones para eliminar las posibles interferencias electromagnéticas. El operario debe instalar y trabajar con este equipo tal como se indica en este manual de instrucciones. Si se detectara alguna interferencia electromagnética el operario deberá poner en práctica acciones correctoras para eliminar estas interferencias con la asistencia de Lincoln Electric.

Antes de instalar el equipo de soldadura, el usuario deberá hacer una evaluación de los problemas de interferencias electromagnéticas que se puedan presentar en el área circundante. Se deberá tener en cuenta lo siguiente:

- Cables de entrada y salida, cables de control, y cables de teléfono que estén en, o sean adyacentes al área de trabajo y a la máquina.
- Emisores y receptores de radio y/o televisión. Ordenadores o equipos controlados por ordenador.
- Equipos de control y seguridad para procesos industriales. Aparatos para calibración y medida.
- Dispositivos médicos como marcapasos o equipos para sordera.
- Compruebe la inmunidad de los equipos que funcionen en o cerca del área de trabajo. El operario debe estar seguro de que todos los equipos en la zona sean compatibles. Esto puede requerir medidas de protección adicionales.
- El tamaño de la zona que se debe considerar dependerá de la actividad que vaya a tener lugar. Puede extenderse más allá de los límites previamente considerados.

Tenga en cuenta las siguientes recomendaciones para reducir las emisiones electromagnéticas de la máquina.

- Los equipos de soldadura deben ser conectados a la red según este manual. Si se produce una interferencia, puede que sea necesario tomar precauciones adicionales, como filtrar la corriente de alimentación.
- Los cables de soldadura deben ser lo más cortos posible y se deben colocar juntos y a nivel del suelo. Si es posible conecte a tierra la pieza a soldar para reducir las emisiones electromagnéticas. El operario debe verificar que la conexión a tierra de la pieza a soldar no causa problemas de seguridad a las personas ni al equipo.
- La protección de los cables en el área de trabajo puede reducir las emisiones electromagnéticas. Esto puede ser necesario en aplicaciones especiales.

# Especificaciones Técnicas

<b>ENTRADA</b>			
Tensión de alimentación 230 / 400V ± 10% Trifásica	Potencia de Entrada a Salida Nominal 34 kVA @ 35% Factor Marcha	Frecuencia 50 Hertz (Hz)	
<b>SALIDA NOMINAL A 40°C</b>			
Factor marcha (Basado en un período de 10 min.) 35% 60% 100%	Corriente de Salida 400A 315A 240A	Tensión de Soldadura 36.0 Vdc 33.0 Vdc 29.0 Vdc	
<b>CORRIENTE DE SALIDA</b>			
Rango de Corriente de salida 15 – 400 Amps		Tensión en Vacío Máxima 78 Vdc	
<b>SECCIÓN DE CABLE Y TAMAÑO DE FUSIBLE RECOMENDADO</b>			
Fusible o Disyuntor 63A Retardado (230V entrada) 40A Retardado (400V entrada)		Cable de red 4 Conductores, 6 mm <sup>2</sup>	
<b>DIMENSIONES</b>			
Alto 640 mm	Ancho 580 mm	Fondo 1150 mm (700 mm sin asa)	Peso 126 Kg
Temperatura de Trabajo -10°C a +40°C		Temperatura de Almacenamiento -25°C a +55°C	



## ATTENTION

L'installation, l'utilisation et la maintenance ne doivent être effectuées que par des personnes qualifiées. Lisez attentivement ce manuel avant d'utiliser cet équipement. Le non respect des mesures de sécurité peut avoir des conséquences graves: dommages corporels qui peuvent être fatals ou endommagement du matériel. Lisez attentivement la signification des symboles de sécurité ci-dessous. Lincoln Electric décline toute responsabilité en cas d'installation, d'utilisation ou de maintenance effectuées de manière non conforme.

	<b>DANGER:</b> Ce symbole indique que les consignes de sécurité doivent être respectées pour éviter tout risque de dommage corporel ou d'endommagement du poste. Protégez-vous et protégez les autres.
	<b>LIRE ATTENTIVEMENT LES INSTRUCTIONS:</b> Lisez attentivement ce manuel avant d'utiliser l'équipement. Le soudage peut être dangereux. Le non respect des mesures de sécurité peut avoir des conséquences graves: dommages corporels qui peuvent être fatals ou endommagement du matériel.
	<b>UN CHOC ELECTRIQUE PEUT ETRE MORTEL:</b> Les équipements de soudage génèrent de la haute tension. Ne touchez jamais aux pièces sous tension (électrode, pince de masse...) et isolez-vous.
	<b>EQUIPEMENTS A MOTEUR ELECTRIQUE:</b> Coupez l'alimentation du poste à l'aide du disjoncteur du coffret à fusibles avant toute intervention sur la machine. Effectuez l'installation électrique conformément à la réglementation en vigueur. <b>MISE A LA TERRE:</b> Pour votre sécurité et pour un bon fonctionnement, le câble d'alimentation doit être impérativement connecté à une prise de courant avec une bonne prise de terre.
	<b>EQUIPEMENTS A MOTEUR ELECTRIQUE:</b> Vérifiez régulièrement l'état des câbles électrode, d'alimentation et de masse. S'ils semblent en mauvais état, remplacez-les immédiatement. Ne posez pas le porte-électrode directement sur la table de soudage ou sur une surface en contact avec la pince de masse afin d'éviter tout risque d'incendie.
	<b>LES CHAMPS ELECTRIQUES ET MAGNETIQUES PEUVENT ETRE DANGEREUX:</b> Tout courant électrique passant par un conducteur génère des champs électriques et magnétiques (EMF). Ceux-ci peuvent produire des interférences avec les pacemakers. Il est donc recommandé aux soudeurs porteurs de pacemakers de consulter leur médecin avant d'utiliser cet équipement.
	<b>COMPATIBILITE CE:</b> Cet équipement est conforme aux Directives Européennes.
	<b>FUMÉES ET GAZ PEUVENT ETRE DANGEREUX:</b> Le soudage peut produire des fumées et des gaz dangereux pour la santé. Évitez de les respirer et utilisez une ventilation ou un système d'aspiration pour évacuer les fumées et les gaz de la zone de respiration.
	<b>LES RAYONNEMENTS DE L'ARC PEUVENT BRULER:</b> Utilisez un masque avec un filtre approprié pour protéger vos yeux contre les projections et les rayonnements de l'arc lorsque vous soudez ou regardez souder. Portez des vêtements appropriés fabriqués avec des matériaux résistant durablement au feu afin de protéger votre peau et celle des autres personnes. Protégez les personnes qui se trouvent à proximité de l'arc en leur fournissant des écrans ininflammables et en les avertissant de ne pas regarder l'arc pendant le soudage.
	<b>LES ETINCELLES PEUVENT ENTRAÎNER UN INCENDIE OU UNE EXPLOSION:</b> Eloignez toute matière inflammable de la zone de soudage et assurez-vous qu'un extincteur est disponible à proximité. Les étincelles et les projections peuvent aisément s'engouffrer dans les ouvertures les plus étroites telles que des fissures. Ne soudez pas de réservoirs, fûts, containers... avant de vous être assuré que cette opération ne produira pas de vapeurs inflammables ou toxiques. N'utilisez jamais cet équipement de soudage dans un environnement où sont présents des gaz inflammables, des vapeurs ou liquides combustibles.
	<b>LES MATERIAUX SOUDES SONT BRULANTS:</b> Le soudage génère de la très haute chaleur. Les surfaces chaudes et les matériaux dans les aires de travail peuvent être à l'origine de brûlures graves. Utilisez des gants et des pinces pour toucher ou déplacer les matériaux.





**SECURITE:** Cet équipement peut fournir de l'électricité pour des opérations de soudage menées dans des environnements à haut risque de choc électrique.

## Installation et Instructions d'Utilisation

Lisez attentivement la totalité de ce chapitre avant d'installer ou d'utiliser ce matériel.

### Emplacement et Environnement

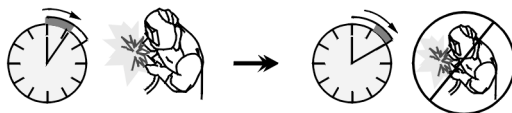
Cette machine peut fonctionner dans des environnements difficiles. Il est cependant impératif de respecter les mesures ci-dessous pour lui garantir une longue vie et un fonctionnement durable.

- Ne placez pas et n'utilisez pas cette machine sur une surface inclinée à plus de 15° par rapport à l'horizontale.
- Ne pas utiliser cette machine pour dégeler des canalisations.
- Stockez la machine dans un lieu permettant la libre circulation de l'air dans les aérations du poste. Ne la couvrez pas avec du papier, des vêtements ou tissus lorsqu'elle est en marche.
- Réduisez au maximum la quantité d'impuretés à l'intérieur de la machine.
- La machine possède un indice de protection IP23. Elle peut recevoir une pluie modérée sans que cela nuise à la sécurité de l'opérateur
- Placez la machine loin d'équipements radio-commandés. Son utilisation normale pourrait en affecter le bon fonctionnement et entraîner des dommages matériels ou corporels. Reportez-vous au chapitre "Compatibilité Electromagnétique" de ce manuel.
- N'utilisez pas le poste sous des températures supérieures à 40°C.

### Facteur de marche et Surchauffe

Le facteur de marche d'un équipement de soudage est basé sur une période de 10 minutes: c'est le pourcentage de temps pendant lequel le poste peut souder à la valeur nominale du courant de soudage sans qu'il se produise de surchauffe ou d'interruption forcée du soudage.

Facteur de marche 60%:



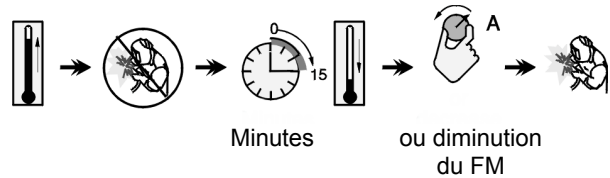
6 minutes de soudage.

4 minutes d'arrêt.

Un facteur de marche excessif provoquera le déclenchement du circuit de protection thermique.

La machine est protégée électroniquement contre les températures excessives. Un voyant lumineux s'allume lorsque le système de protection est enclenché.

Lorsque la machine a suffisamment refroidi, elle se remet en marche et le voyant s'éteint.

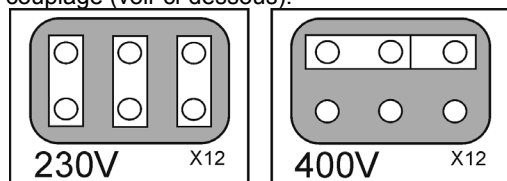


### Alimentation

Assurez-vous que la tension d'alimentation, le nombre de phase, et la fréquence correspondent bien aux caractéristiques exigées par cette machine avant de la mettre en marche. Vérifiez la connexion des fils de terre de la machine au réseau. Les tensions d'alimentation sont 3x230V et 3x400V 50Hz (La machine est livrée connectée en 400V). La tension d'alimentation adéquate est indiquée à la section "spécifications techniques" de ce manuel ainsi que sur la plaque signalétique de la machine.

S'il est nécessaire de changer la tension d'alimentation:

- Déconnectez le câble d'alimentation du réseau et arrêtez la machine.
- Déposez le panneau supérieur et modifiez les branchements des 3 barrettes du bornier de couplage (voir ci-dessous).



- Remontez le panneau.

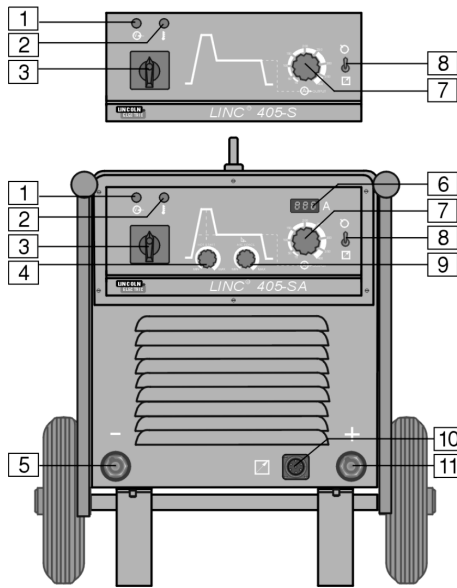
Assurez-vous que la puissance disponible au réseau est appropriée au fonctionnement normal du poste. Les sections de câbles et les calibres de fusibles recommandés sont indiqués dans le chapitre "Spécifications Techniques" de ce manuel.

Reportez-vous aux repères 1, 3, 12 et 13 des illustrations ci-dessous.

### Connecteurs de sortie

Reportez-vous aux repères 5, 10, et 11 des illustrations ci-dessous.

## Commandes et réglages



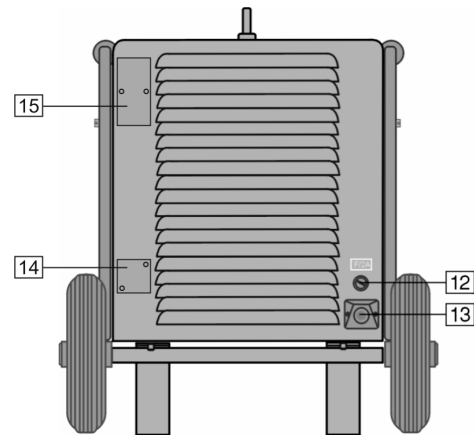
1. Voyant témoin de mise sous tension: Il s'allume lorsque le poste est alimenté et que l'interrupteur M/A est sur "on" : le poste peut fonctionner.
2. Voyant témoin de protection thermique: Ce voyant s'allume quand il y a surchauffe du poste et que le courant de soudage est arrêté. Cela se produit quand la température ambiante est supérieure à 40°C ou quand le facteur de marche est trop élevé. Laissez la machine en marche pour permettre le refroidissement des composants internes. Quand la LED s'éteint, le soudage peut reprendre.
  - Le ventilateur est commandé par le circuit thermique. Ceci permet de réduire la consommation d'électricité ainsi que l'accumulation de poussières et autres particules à l'intérieur de la machine.

Le ventilateur ne se met en marche que si le refroidissement est insuffisant.

3. Interrupteur Marche/Arrêt: Il commande l'alimentation électrique du poste.
4. Surintensité à l'amorçage (Hot Start) (LINC 405-SA uniquement): Augmentation temporaire du courant de soudage à l'amorçage de l'arc. Ceci permet un amorçage rapide et fiable de l'arc.
5. Borne '-': Borne de sortie négative.
6. Ampèremètre digital avec fonction mémoire (LINC 405-SA uniquement): Affiche la valeur réelle du courant de soudage pendant le soudage: après le soudage, la valeur moyenne des 2 dernières secondes du courant de soudage s'affiche.
7. Réglage du courant de soudage: Ce potentiomètre permet le réglage du courant de soudage (même pendant le soudage), de 15A à 400A.
8. Sélecteur de commande du courant à distance ou sur le poste: La commande à distance K10095-1-

15M ou K870 peut être utilisée avec cette machine. Local: Réglage à l'aide du potentiomètre (repère7). Remote: Réglage à l'aide de la commande à distance.

9. Commande de Puissance d'arc (Arc Force) (LINC 405-SA seulement): Fonction utilisée en procédé de soudage à l'électrode (MMA) et qui permet d'augmenter temporairement le courant de soudage en cas de court-circuit de l'électrode avec la masse, empêchant son collage.
10. Prise de commande à distance: Permet de brancher une commande à distance.
11. Borne '+': Borne de sortie positive.



12. Disjoncteur: Il protège le circuit du ventilateur.
13. Passage câble d'alimentation: Connecter la prise appropriée sur le câble d'alimentation (se reporter aux spécifications techniques et se conformer aux normes en vigueur). Cette connexion ne doit être effectuée que par une personne habilitée.
14. Bouchon: Pour prise 48Vac K14027-1.
15. Bouchon: Pour disjoncteur de protection de la prise 48Vac K14027-1.

## Soudage Manuel à l'Electrode Enrobée (MMA)

Avant de commencer à souder, vous devez:

- Insérer les câbles de masse et électrode dans les bornes de soudage et les bloquer.
- Connecter le câble de masse à la pièce à la souder à l'aide de la pince de masse.
- Insérer une électrode dans le porte-électrode.
- Connecter le câble d'alimentation à la prise réseau.
- Régler le sélecteur Local/Remote sur la position adéquate: local ou remote.
- Mettre l'interrupteur M/A sur "on".
- Régler l'intensité du courant de soudage.
- Commencer à souder.

## Maintenance

### ⚠ ATTENTION

Nous vous recommandons de contacter notre service après-vente pour toute opération d'entretien ou réparation. Toute intervention sur le poste effectuée par

des personnes non autorisées invalidera la garantie du fabricant.

La fréquence des opérations de maintenance varie en fonction de l'environnement de travail dans lequel la machine est placée.

Tout défaut observé doit être immédiatement rapporté.

### Maintenance

- Vérifier l'état des câbles. Les remplacer si nécessaire.
- Vérifier l'état et la fonctionnalité du ventilateur. Maintenir les ouïes d'aération propres.

### Maintenance périodique (toute les 200 heures de fonctionnement ou au moins une fois par an)

Faire la maintenance de routine et en plus:

- Nettoyer la machine. Utiliser de l'air comprimé (basse pression), enlever la poussière externe et toute poussière accessible.
- Vérifier le serrage des vis.

### ATTENTION

L'alimentation principale doit être coupée avant toute intervention de maintenance sur la machine. Après chaque réparation, les tests de sécurité doivent être faits.

## Compatibilité Electromagnétique (CEM)

11/04

Ce produit a été conçu conformément aux normes et directives relatives à la compatibilité électromagnétique des appareils de soudage. Cependant, il se peut qu'il génère des perturbations électromagnétiques qui pourraient affecter le bon fonctionnement d'autres équipements (téléphones, radios et télévisions ou systèmes de sécurité par exemple). Ces perturbations peuvent nuire aux dispositifs de sécurité internes des appareils. Lisez attentivement ce qui suit afin de réduire –voire d'éliminer– les perturbations électromagnétiques générées par cette machine.



besoin est.

Cette machine a été conçue pour fonctionner dans un environnement industriel. Pour une utilisation en environnement domestique, des mesures particulières doivent être observées. L'opérateur doit installer et utiliser le poste conformément aux instructions de ce manuel. Si des interférences se produisent, l'opérateur doit mettre en place des mesures visant à les éliminer, avec l'assistance de Lincoln Electric si

Avant d'installer la machine, l'opérateur doit vérifier tous les appareils de la zone de travail qui seraient susceptibles de connaître des problèmes de fonctionnement en raison de perturbations électromagnétiques. Exemples:

- Câbles d'alimentation et de soudage, câbles de commandes et téléphoniques qui se trouvent dans ou à proximité de la zone de travail et de la machine.
- Emetteurs et récepteurs radio et/ou télévision. Ordinateurs ou appareils commandés par microprocesseurs.
- Dispositifs de sécurité. Appareils de mesure.
- Appareils médicaux tels que pacemakers ou prothèses auditives.
- L'opérateur doit s'assurer que les équipements environnants ne génèrent pas de perturbations électromagnétiques et qu'ils sont tous compatibles. Des mesures supplémentaires peuvent s'avérer nécessaires.
- La taille de la zone de travail à prendre en considération dépend de la structure de la construction et des activités qui s'y pratiquent.

Comment réduire les émissions?

- Connecter la machine au secteur selon les instructions de ce manuel. Si des perturbations ont lieu, il peut s'avérer nécessaire de prendre des mesures comme l'installation d'un filtre de circuit par exemple.
- Les câbles de soudage doivent être aussi courts que possibles et attachés ensemble. La pièce à souder doit être reliée à la terre si possible (s'assurer cependant que cette opération est sans danger pour les personnes et les équipements).
- Le fait d'utiliser des câbles protégés dans la zone de travail peut réduire les émissions électromagnétiques. Cela est nécessaire pour certaines applications.
- S'assurer que la machine est connectée à une bonne prise de terre.

## Caractéristiques Techniques




<b>ALIMENTATION</b>			
Tension d'alimentation 230 / 400V ± 10% Triphasé	Puissance absorbée 34 kVA @ 35% FM	Fréquence 50 Hertz (Hz)	
<b>SORTIE NOMINALE A 40°C</b>			
Facteur de marche (Basé sur une période de 10 min.) 35% 60% 100%	Courant de soudage 400A 315A 240A	Tension de sortie 36.0 Vdc 33.0 Vdc 29.0 Vdc	
<b>GAMME DE COURANT DE SORTIE</b>			
Gamme de courant de soudage 15 – 400 A		Tension à vide max. 78 Vdc	
<b>CABLES D'ALIMENTATION ET FUSIBLES</b>			
Fusible 63A Fusion lente (230V) 40A Fusion lente (400V)		Câbles d'alimentation 4 Conducteurs, 6 mm <sup>2</sup>	
<b>DIMENSIONS</b>			
Hauteur 640 mm	Largeur 580 mm	Longueur 1150 mm (700 mm sans poignée)	Poids 126 Kg
Température de fonctionnement -10°C à +40°C		Température de stockage -25°C à +55°C	



## ADVARSEL

Dette utstyret skal kun brukes av kvalifisert personell. Forsikre deg om at all oppkobling, bruk, vedlikehold og reparasjon er utført av kvalifisert personell. Les og forstå denne bruksanvisningen før utstyret tas i bruk. Hvis bruksanvisningen ikke følges kan dette resultere i alvorlig personskade, død eller skade på utstyret. Les og forstå de følgende eksempler og Advarsels- symboler. Lincoln Electric er ikke ansvarlig for skader som er forårsaket av: feil installasjon, dårlig vedlikehold eller unormal bruk.

	<p>ADVARSEL: Dette symbolet indikerer at bruksanvisningen må følges for å unngå alvorlige personskader, død eller skade på utstyret. Beskytt deg selv og andre fra personskade eller død.</p>
	<p>LES OG FORSTÅ BRUKSANVISNINGEN: Les og forstå bruksanvisningen før utstyret tas i bruk. Elektrisk buesveising kan være farlig. Hvis bruksanvisningen ikke følges kan dette resultere i alvorlig personskade, død eller skade på utstyret</p>
	<p>ELEKTRISK STØT KAN DREPE: Elektroden og arbeidstrykket (gods) står under spenning når maskinen er slått på. Ikke berør disse deler med bar hud eller fuktige klær. Bruk hansker uten hull. For å unngå fysisk kontakt til arbeidsstykket og gods/jord skal hele kroppsoverflaten være isolert ved bruk av tørre klær. Ved halvautomatisk eller automatisk trådsveising er tråden, matehjul, sveisehode og kontaktrør, under spenning. Sørg for at godskabelen har god kontakt til arbeidsstykket. Tilkoblingen skal være så nær sveiestedet som mulig. Hold elektrodeholderen, godsklemme, sveisekabel og sveisemaskin i god operativ stand. Reparer defekt isolasjon. Dypp aldri elektrodeholderen i vann for avkjøling. Bruk sikkerhetsbelte når det arbeides over gulvnivå, for å sikre mot fall som følge av elektriske støt.</p>
	<p>ELEKTRISK UTSTYR: Husk alltid å slå av maskinen og koble fra nettspenningen når det skal utføres arbeid på sveisemaskinen. Jording skal være iht. gjeldende regler.</p>
	<p>ELEKTRISK UTSTYR: Hold elektrodeholderen, godsklemme, sveisekabel og sveisemaskin i god operativ stand. Reparer defekt isolasjon. Dypp aldri elektrodeholderen i vann for avkjøling. Bruk sikkerhetsbelte når det arbeides over gulvnivå, for å sikre mot fall som følge av elektriske støt.</p>
	<p>ELEKTRISK OG MAGNETISK FELT KAN VÆRE FARLIG: Elektrisk strøm som flyter gjennom en leder forårsaker elektromagnetiskfelt (EMF). Alle sveisere bør bruke følgende prosedyre for å redusere eksponeringen av EMF. Legg elektroden og godskabelen sammen, tapes sammen hvis mulig. Ikke kveil elektrodekabelen rundt kroppen. Ikke plasser deg mellom elektrodekabel og godskabel. Godskabelen tilkobles så nær sveiestedet som mulig. Ikke arbeid nær sveiestrømkilder.</p>
	<p>CE GODKJENNING: Dette produktet er godkjent iht. Europeiske direktiver.</p>
	<p>RØYK OG GASS KAN VÆRE FARLIG: Ved sveising kan det dannes helsefarlig røyk og gass. Unngå å puste inn denne røyken og gassen. Bruk god ventilasjon og /eller punktavsug for å holde røyken og gassen borte fra pustesonen. Når det sveises med elektroder som krever spesiell ventilasjon, f.eks. rustfrie- og påleggselektroder, eller på bly -, sink- eller kadmiumbelagte stål og andre metaller som avgir giftig røyk, er det særdeles viktig å benytte effektive avsug for å holde forurensninger under tillatt grenseverdi (TLV-indeks) I små eller trange rom eller ved sveising på særlig farlig materiale, kan det være aktuelt med gassmaske. Sveis ikke i områder nær kløret hydrokarbondamp som kommer fra avfetting, rense- eller sprøyteoperasjoner. Varmen og stråler fra lysbuen kan reagere med løsningsdamper og danne fosgen (en svært giftig gass), og andre irriterende forbindelser. Beskyttelsesgass som brukes til sveising kan fortrenge luft og forårsake ulykker eller død. Bruk alltid nok ventilasjon, spesielt i avgrenset område, slik at pusteluften er sikker. Følg arbeidsgiverens sikkerhetspraksis.</p>
	<p>STRÅLING FRA BUEN KAN SKADE: Stråling fra buen kan skade øynene og forårsake hudskade. Benytt sveisemaske/hjelm med tilstrekkelig lysfiltergrad. Bør tilsvare EURO standard. Bruk værneutstyr/klær av ikke brennbart materiale. Vær forsikret om at andre i arbeidsområder er beskyttet mot stråling, sprut og varmt metall.</p>

	<p><b>SVEISESPRUT KAN FORÅRSAKE BRANN OG EKSPLOSJON:</b> Brannfarlige ting i området tildekkes for å hindre antennelse. Husk at sprut og varmt materiale fra sveising går lett igjennom små sprekker og åpninger. Unngå sveising nær hydraulikkør. Ha brannslukningsapparat klart. Følg bruksanvisningen og sikkerhetsregler før bruk av gassbeholdere for å unngå farlige situasjoner. Vær sikker på at ingen deler av elektrodekretsen berører arbeidsstykket eller jord når det ikke sveises. Tilfeldig kontakt kan være årsaken til overoppheting og brannfare. Ved oppvarming, sveising eller skjæring på tanker o.l., må man være sikker på at dette ikke fremkaller giftige eller antennbare damper. Eksplosjon kan oppstå selv om tankene er "renset". Ventiler hult støpegods eller beholdere før oppvarming, ved sveising eller skjæring kan de eksplodere. Sprut slynges ut fra buen, bruk oljefri vernekleddning slik som skinnhansker, solid forkle, bukser uten oppbrett, høye sko og lue over håret. Bruk ørepropper ved sveising i stilling eller trange rom. Bruk alltid vernebriller med sidebeskyttelse. Godskabelen tilkobles arbeidsstykket så nær sveisestedet som mulig. Hvis godskabelen tilkobles metalldele utenom sveisestedet, øker faren for overoppheting/antennelse og skade på utstyret.</p>
	<p><b>SVEISTE MATERIALER KAN GI BRANNSKADE:</b> Sveising genererer høy temperatur. Varme materialer og overflater kan gi alvorlige brannskader. Bruk egnet verktøy og hansker når du skal arbeide med varmt materiale.</p>
	<p><b>SIKKERHETS MERKE:</b> Dette utstyret er tilpasset for bruk i omgivelser hvor man har økt fare for elektrisk støt.</p>

## Installasjon og Brukerinstruksjon

Les hele denne manualen før maskinen tas i bruk. Brukeren er ansvarlig for at installasjon og bruk av utstyret gjøres iht. produsentens instruksjoner.

### Plassering og omgivelser

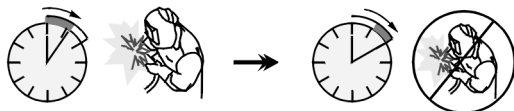
Denne maskinen kan brukes under de fleste forhold, men det er viktig at enkle forholdsregler følges for å sikre lang levetid og pålitelig drift.

- Ikke plasser eller bruk denne maskinen på underlag som heller 15° eller mer fra horisontalplanet.
- Maskinen skal ikke brukes til tining av frossene rør.
- Maskinen må plasseres der det er fri sirkulasjon av ren luft, slik at luftstrømmen flyter fritt og ikke hindres. Dekk ikke maskinen med papir, kluter eller filler når den er i bruk.
- Støv og skitt som kan trekkes inn i maskinen bør holdes på et minimum.
- Denne maskinen har beskyttelsesklasse IP23. Hold maskinen tørr og beskyttet mot regn og snø, plasser den aldri på et våt underlag eller i en dam.
- Plasser maskinen vekk fra utstyr som er elektromagnetisk følsomt. Normal bruk kan påvirke og skade elektronisk utstyr i umiddelbar nærhet. Les avsnittet om Elektromagnetisk kompatibilitet.
- Maskinen bør ikke brukes i omgivelser med temperatur høyere en 40°C.

### Intermittens og overoppheting

Intermittensen på en sveisemaskin er målt i en 10 minutters periode. Innenfor denne perioden kan maskinen brukes på den oppgitte sveisestrømmen uten at maskinen skal overopphetes, eller at det skal være nødvendig med pauser.

60% Intermittens:

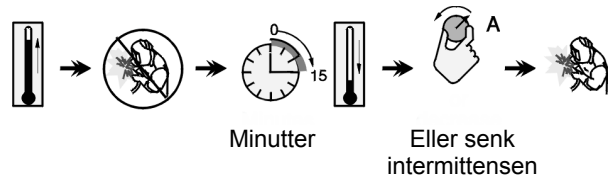


Sveising i 6 minutter.

pause i 4 minutter.

Hvis intermittensen på maskinen overskrides vil termostatbeskyttelsen slå inn og stoppe prosessen.

Maskinen har en innebygget termostat mot overoppheting fra trafoen. Hvis termostaten har slått ut, vil dette vises med en kontrollampe på frontpanelet. Når temperaturen inne i maskinen har falt til et akseptabelt nivå vil sveisestrømmen komme tilbake og lampen vil slukke.



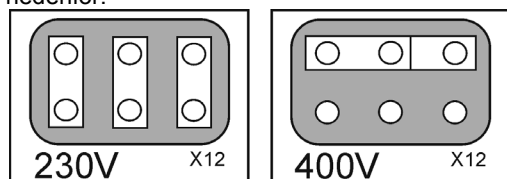
### Nettilkobling

Nettilkoblingen skal være iht. gjeldende forskrifter.

Kontroller at nettspenningen har rett volt, fase og frekvens før maskinen tas i bruk. Den anbefalte nettspenning er angitt i avsnittet med Teknisk Data og på informasjonsplaten bak på maskinen. Sjekk at nettstøpsel og kontakt er tilkoblet jord. Mulige nettspenninger på denne maskinen er: 230V 3-fas og 400V 3-fas 50 Hz, standard levert for 400 Volt nettspenning.

Hvis det er nødvendig og bytte nettspenning:

- Trekk ut nettleidingen fra nettspenningen og slå strømkilden AV.
- Fjern toppdekslet fra maskinen.
- Koble om omkoblingspanelet X12 iht. figuren vist nedenfor.



- Monter toppdekslet igjen.

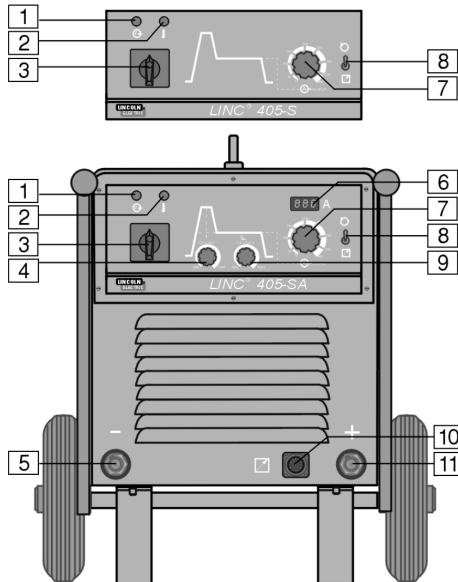
Sjekk at nettspenningen er tilstrekkelig for normal bruk av maskinen. Den nødvendige størrelsen på nettsikring og primærkabel finnes i avsnittet Teknisk data.

Viser til punkt 1, 3, 12 og 13 på illustrasjonen nedenfor.

## Maskinkontakter

Viser til punkt 5, 10 og 11 på illustrasjonen nedenfor.

## Betjeningsbrytere/Funksjoner



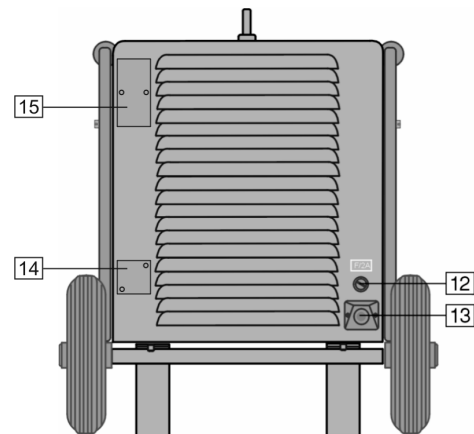
1. **Strøm PÅ kontrollampe:** Når maskinen skrues PÅ vil denne lampen tenne og vise at maskinen er klar til sveising.
2. **Termostatstyrt kontrollampe:** Denne lampen vil lyse hvis temperaturen inni maskinen overskrider 40°C eller at intermittensen er overskredet. La maskinen stå PÅ, og kjøleviften vil kjøle ned de innvendige komponentene til en akseptabel temperatur. Når denne temperaturen er nådd vil lampen slukke og spenningen vil komme tilbake på maskinkontaktene.

- Kjøleviften er temostatstyrt. Dette sparer strømforbruk samt at mengden smuss og støv som blir dratt inn i maskinen holdes på et minimum.

### Viften går kun etter behov.

3. **Hovedbryter PÅ/AV:** Styrer strømmen til maskinen.
4. **Hot Start kontroll (Kun LINC 405-SA):** Hot Start gir en midlertidig økning av sveisestrømmen i starten når lysbuen etableres med dekkede elektroder (MMA). Dette hjelper til og gjør det enklere å tenne lysbuen.
5. **Maskinkontakt minus pol:** Minus pol for tilkobling av sveiseutstyr.
6. **Digitalt amperemeter med memory (Kun LINC 405-SA):** Viser faktisk sveisestrøm under sveising. Etter avsluttet sveising vil det vise innstilt sveisestrøm.

7. **Regulering av sveisestrøm:** Potensiometer for å stille inn sveisestrøm (også under sveising), fra 15A til 400A.
8. **Bryter for fjernkontroll:** På denne maskinen kan man benytte fjernkontrollen: K10095-1-15M og K870. Ved bruk av fjernkontroll vil styringen av sveisestrømmen gjøres fra fjernkontrollen koblet til kontakt pos. 10 (i stede for potmeteret pos. 7).
9. **Arc Force kontroll (Kun LINC 405-SA):** Dette er en funksjon som benyttes ved sveising med dekkede elektroder, den gir en midlertidig økning av sveisestrømmen slik at elektroden ikke skal brenne seg fast til arbeidsstykket.
10. **Kontakt for fjernkontroll:** Hvis det skal benyttes en fjernkontroll, skal denne kobles til maskinen via denne kontakten.
11. **Maskinkontakt pluss pol:** Pluss pol for tilkobling av sveiseutstyr.



12. **Sikring:** Denne sikringen beskytter kjøleviften.
13. **Nettledning:** For å koble maskinen til nettspenningen. Monter på rett støpsel iht. den nettspenningen som skal benyttes. Dette bør kun utføres av godkjent personell.
14. **Hull tildekket:** For 48Vac stikkontakt K14027-1.
15. **Hull tildekket:** For sikring til 48Vac stikkontakt K14027-1.

## Elektrodesveising (MMA)

For å starte å sveise med dekkede elektroder bør du:

- Stikk inn maskinkontaktene på sveisekabelsettet i maskinkontaktene på strømkilden, og vri disse på plass.
- Feste godskabelen til arbeidsstykket med godsklemmen.
- Sette fast en elektrode til elektrodeholderen.
- Koble sveisekabelsettet til maskinkontaktene.
- Sette Local/Remote bryteren i rett posisjon: local eller remote (lokalt eller fjernkontroll).
- Skru PÅ (on) hovedbryteren PÅ/AV (on/off).
- Stille inn rett strømstyrke på potensiometeret.
- Du kan nå starte å sveise.

utføres. Etter hver reparasjon kontroller at alt virker og er i orden.

## Vedlikehold

### ADVARSEL

For vedlikehold og/eller reparasjoner kontaktes Lincoln Electric, eller et godkjent Lincoln Electric serviceverksted. Dersom service og/eller reparasjoner utføres av ikke autorisert personale eller –verksted dekkes dette ikke av Lincoln Electric garantibetingelser.

Frekvensen på vedlikeholdet av maskinen er avhenging av hvor mye den benyttes og av miljøet maskinen står i.

Skader på maskinen bør repareres umiddelbart.

### Daglig vedlikehold

- Sjekk alle kabler og koblinger og bytt disse hvis nødvendig.
- Kontroller at kjøleviften går og at luften har fri flyt igjennom luft inn/uttak.

### Periodisk vedlikehold (hver 200 arbeidstimer eller alltid 1 gang i året)

Utfør den daglige vedlikeholdsrutinen og i tillegg:

- Tørk av maskinen og blås med tørr trykkluft med lavt trykk. Blås også rent inne i kabinettet.
- Kontroller og trekk til alle skruer.

### ADVARSEL

Trekk ut nettleidingen når vedlikehold/ service skal

## Elektromagnetisk Kompatibilitet (EMC)

11/04

Dette produktet er produsert i samsvar med EU-direktiver / normer for Elektromagnetisk Kompatibilitet EMC. Elektromagnetisk stråling kan påvirke mange elektroniske utstyr; annet nærliggende sveiseutstyr, radio- og TV-mottagere, numerisk styrte maskiner, telefonsystemer, datamaskiner etc. Når strålingen blir mottatt av annet utstyr, kan denne strålingen forstyrre utstyret. Les og forstå dette avsnittet for å redusere eller eliminere elektromagnetiske strålinger forårsaket av dette utstyret.



Denne maskinen har blitt laget for bruk i et Industrielt miljø. Vær oppmerksom på at det kan oppstå forstyrrelser fra sveise- eller skjærestrømkilden og ekstra tiltak kan bli nødvendige når strømkilden brukes i privathus o.l. Brukeren er ansvarlig for installasjon og bruk av utstyret gjøres iht. produsentens instruksjoner. Hvis elektromagnetiske forstyrrelser oppdages er det brukeren av sveiseutstyret som har ansvaret for å løse problemet, med teknisk assistanse fra produsenten. Modifiser ikke dette utstyret uten godkjennelse fra Lincoln Electric.

Før installasjon av sveiseutstyret, skal brukeren foreta en vurdering av potensialet for elektromagnetiske problemer i nærliggende områder. Vurder følgende:

- Andre tilførselskabler, kontrollkabler, signaler- og telefonkabler; over, under og i nærheten av sveisestrømkilden.
- Radio, TV sender og mottaker. Datamaskiner og kontrollutstyr.
- Kritisk sikkerhetsutstyr, dvs. Sikring av industri. Utstyr for kalibrering av måleinstrumenter.
- Helsen til folk omkring; dvs. Brukere av pacemaker; høreapparater.
- Immuniteten til andre apparater i området. Brukeren skal forsikre seg om at sveiseutstyret kan samkjøres (er kompatibelt) med annet utstyr i området. Det kan da være nødvendig med ekstra sikkerhetstiltak.
- Tid på dagen som sveisingen eller andre aktiviteter, skal foregå. Størrelsen av omliggende område avhenger av utførelsen av bygningen og andre aktiviteter som finner sted der omliggende område kan stekke seg utenfor avgrensningen av lokalitetene.

Metoder for reduisering av elektromagnetisk stråling fra maskinen.

- Sveiseutstyret skal kobles til nettet iht. produsentens anbefalinger. Hvis forstyrrelser oppstår kan det være nødvendig med ekstra tiltak, f.eks. installering av nettfiler. Det bør overveies å skjerme nettleidingen i metallfolie o.l. for permanent installert utstyr.
- Kablene skal holdes så korte som mulig, og legges så nær hverandre, og så nær gulvet som mulig. En sammenkobling til jord kan redusere stråling i noen tilfeller, men ikke bestandig. En bør prøve å unngå jording av arbeidsstykket, da jordingen vil øke risikoen for uhell for operatøren, eller ødeleggelse av annet utstyr.
- Selektiv skjerming og beskyttelse av andre kabler og utstyr i omkringliggende områder kan redusere problemer med forstyrrelser. Dette kan være nødvendig ved spesielle applikasjoner.



# Tekniske Spesifikasjoner

<b>NETTSIDE</b>			
Nettspenning 230 / 400V ± 10% 3-fas	Belastning ved intermittens 34 kVA @ 35% Intermittens	Frekvens 50 Hertz (Hz)	
<b>SVEISEKAPASITET VED 40°C</b>			
Intermittens (Basert på en 10 min. periode)	Sveisestrøm	Buespenning	
35%	400A	36.0 Vdc	
60%	315A	33.0 Vdc	
100%	240A	29.0 Vdc	
<b>SVEISESIDE</b>			
Strømområde 15 – 400 Amp		Tomgangsspenning 78 Vdc	
<b>ANBEFALTE KABELSTØRRELSER OG SIKRINGER</b>			
Nettsikring 63A treg (230V nettspenning) 40A treg (400V nettspenning)		Nettkabel 4 leder, 6 mm <sup>2</sup>	
<b>DIMENSJONER</b>			
Høyde 640 mm	Bredde 580 mm	Lenge 1150 mm (700 mm uten håndtak)	Vekt 126 Kg
Driftstemperatur -10°C to +40°C		Lagringstemperatur -25°C to +55°C	



## WAARSCHUWING

Deze apparatuur moet gebruikt worden door gekwalificeerd personeel. Zorg ervoor dat installatie, gebruik, onderhoud en reparatie alleen uitgevoerd wordt door gekwalificeerd personeel. Lees en begrijp deze gebruiksaanwijzing alvorens te lassen. Negeren van waarschuwingen en aanwijzingen uit deze gebruiksaanwijzingen kunnen leiden tot verwondingen, letsel, dood of schade aan het apparaat. Lees en begrijp de volgende verklaringen bij de waarschuwingssymbolen. Lincoln Electric is niet verantwoordelijk voor schade veroorzaakt door verkeerde installatie, slecht onderhoud of abnormale toepassingen.

	<b>WAARSCHUWING:</b> Dit symbool geeft aan dat alle navolgende instructies uitgevoerd moeten worden om letsel, dood of schade aan de apparatuur te voorkomen. Bescherm jezelf en anderen tegen letsel.
	<b>LEES EN BEGRIJP DE INSTRUCTIES:</b> Lees en begrijp deze gebruiksaanwijzing alvorens het apparaat te gebruiken. Elektrisch lassen kan gevaarlijk zijn. Het niet volgen van de instructies uit deze gebruiksaanwijzing kan letsel, dood of schade aan de apparatuur tot gevolg hebben.
	<b>ELEKTRISCHE STROOM KAN DODELIJK ZIJN:</b> Lasapparatuur genereert hoge spanning. Raak daarom de elektrode, werkstuklem en aangesloten werkstuk niet aan. Isoleer jezelf van elektrode, werkstuklem en aangesloten werkstukken.
	<b>ELEKTRISCHE APPARATUUR:</b> Schakel de voedingsspanning af m.b.v. de schakelaar aan de zekeringkast als u aan de machine gaat werken. Aard de machine conform de nationaal (lokaal) geldende normen.
	<b>ELEKTRISCHE APPARATUUR:</b> Controleer regelmatig de aansluit-, de las- en de werkstuklabel. Vervang kabels waarvan de isolatie beschadigd is. Leg de elektrodehouder niet op het werkstuk of een ander oppervlak dat in verbinding met de werkstuklem staat om ongewenst ontsteken van de boog te voorkomen.
	<b>ELEKTRISCHE EN MAGNETISCHE VELDEN KUNNEN GEVAARLIJK ZIJN:</b> Elektrische stroom, vloeiend door een geleider, veroorzaakt een lokaal elektrisch- en magnetisch veld (EMF). EMF-velden kunnen de werking van pacemakers beïnvloeden. Personen met een pacemaker dienen hun arts te raadplegen alvorens met lassen te beginnen.
	<b>CE OVEREENSTEMMING:</b> Deze machine voldoet aan de Europese richtlijnen.
	<b>ROOK EN GASSEN KUNNEN GEVAARLIJK ZIJN:</b> Lassen produceert rook en gassen die gevaarlijk voor de gezondheid kunnen zijn. Voorkom inademing van rook of gassen. Om deze gevaren te voorkomen moet er voldoende ventilatie of een afzuigstelsel zijn om de rook en gassen bij de lasser vandaan te houden.
	<b>BOOGSTRALING KAN VERBRANDING VEROORZAKEN:</b> Gebruik een lasscherm met de juiste lasglazen om de ogen te beschermen tegen straling en spatten. Draag geschikte kleding van een vlamvertragend materiaal om de huid te beschermen. Bescherm anderen in de omgeving door afscherming van de lasboog en vertel dat men niet in de lasboog moet kijken.
	<b>LASSPATTEN KUNNEN BRAND OF EXPLOSIE VEROORZAKEN:</b> Verwijder brandbare stoffen uit de omgeving en houdt een geschikte brandblusser paraat.
	<b>AAN GELASTE MATERIALEN KUNT U ZICH BRANDEN:</b> Lassen genereert veel warmte. Aan hete oppervlakken en materialen in de werkomgeving kunt u zich letsel branden. Gebruik handschoenen en tangen om werkstukken en materialen in de werkomgeving vast te pakken of te verplaatsen.
	<b>VEILIGHEIDSMARKERING:</b> Deze machine is geschikt voor gebruik als voedingsbron voor lasstroom in omgevingen met een verhoogd risico en kans op elektrische aanraking.

# Installatie en Bedienung

Lees dit hoofdstuk geheel alvorens de machine te installeren of te gebruiken.

## Plaats en omgeving

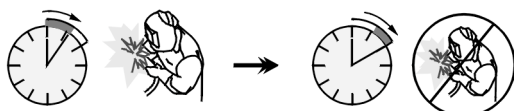
Deze machine werkt onder zware omstandigheden. Enkele eenvoudige voorzorgsmaatregelen garanderen een betrouwbare werking en lange levensduur.

- Plaats de machine niet op een ondergrond die meer dan 15° uit het lood ligt (van horizontaal).
- Gebruik deze machine niet voor het ontdooien van waterleidingen.
- Plaats de machine daar waar er een vrije circulatie van schone lucht is, zonder beperking van de uitgaande lucht vanuit de ventilatieopeningen. Bedek de ingeschakelde machine niet met papier, doek of iets dergelijks.
- Beperk het opzuigen van stof en vuil tot een minimum.
- Deze machine heeft een IP23 beschermingsgraad. Houdt de machine zo mogelijk droog en plaats hem niet op vochtige grond of in plassen.
- Plaats de machine zo mogelijk weg van radio-bestuurde apparatuur. Normaal gebruik kan de werking van dichtbijzijnde radiobestuurde apparatuur negatief beïnvloeden, met ongevallen of schade tot gevolg. Lees het hoofdstuk Elektromagnetische Compatibiliteit van deze gebruiksaanwijzing.
- Niet gebruiken in ruimtes met een omgevingstemperatuur van 40°C of hoger.

## Inschakelduur en oververhitting

De inschakelduur van de machine komt overeen het percentage van de tijd dat een lasser de machine kan gebruiken bij een aangegeven lasstroom.

60% inschakelduur:

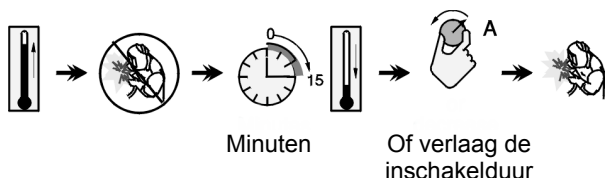


6 minuten lassen.

4 minuten pauze.

Excessieve verlenging van de inschakelduur activeert het thermisch beveiligingscircuit.

De lastransformator in de machine beschermt tegen oververhitting door middel van een thermostaat. Wanneer de machine oververhit raakt, schakelt de lasstroom "UIT" en de indicatielamp van de thermische beveiliging gaat "AAN". Wanneer de machine tot een veilige bedrijfstemperatuur afgekoeld is, gaat de indicatielamp uit en de machine is gereed voor normaal gebruik.



Minuten

Of verlaag de inschakelduur

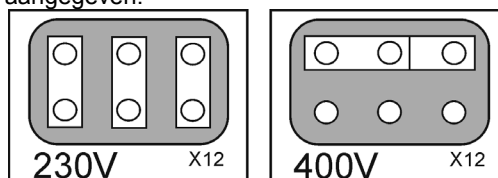
## Primaire aansluiting

Installatie en primaire stekkerdoos moeten volgens lokaal geldende normen aangelegd worden.

Controleer voedingsspanning, aantal fasen en netfrequentie alvorens de machine in te schakelen. Verzeker u ervan dat de machine goed geaard is. Toegestane voedingsspanningen zijn 3x230V en 3x400V 50Hz (400V: standaard fabrieksinstelling). Zie ook de technische gegevens en het typeplaatje voor meer informatie betreffende de primaire voeding.

Indien het noodzakelijk is de primaire voedingsspanning te veranderen:

- Verzeker u ervan dat de primaire kabel uit de stekkerdoos is genomen en de machine uitgeschakeld is.
- Verwijder het deksel van de machine.
- Wijzig de aansluitingen X12 zoals hieronder aangegeven.



- Plaats de deksel.

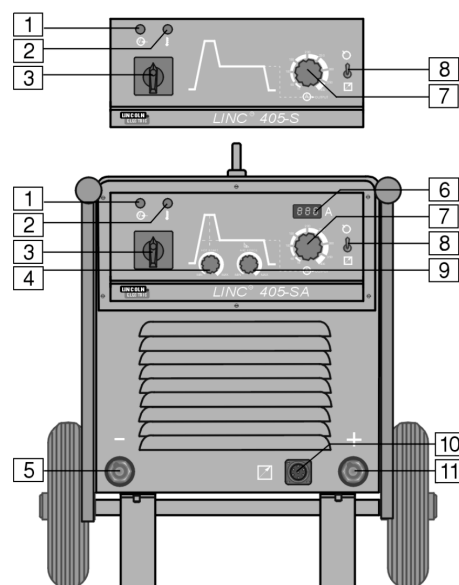
Verzeker u ervan dat de primaire aansluiting voldoende vermogen kan leveren voor normale werking van de machine. Maak gebruik van trage zekeringen (of zekeringsautomaten met een "D" karakteristiek) en kabel met voldoende aderdoorsnede zoals aangegeven in de technische specificaties van deze gebruiksaanwijzing

Zie ook punten 1, 3, 12 en 13 van de afbeeldingen hieronder.

## Aansluitingen

Zie punten 5, 10 en 11 van onderstaande afbeelding.

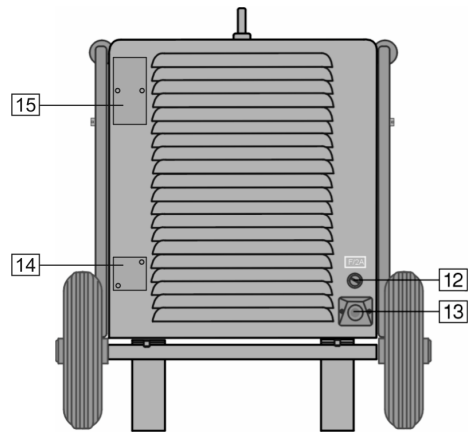
## Bedienung en Functies



1. Indicator Aan-stand: Nadat primaire spanning is aangesloten en ingeschakeld licht deze lamp op ten teken dat de machine klaar is voor gebruik.
2. Thermische Overbelasting Indicator: Deze lamp gaat branden wanneer de machine oververhit is en de Lasroom uitgeschakeld is. Dit kan voorkomen wanneer de omgevingstemperatuur boven de 40 C komt of de machine overbelast wordt. Laat de machine ingeschakeld om de interne componenten te laten afkoelen. De machine is weer klaar voor gebruik wanneer de lamp uit is.
  - Thermostatische ventilator: De ventilator is voorzien van een thermische besturing. Deze functie bespaard energie en beperkt de hoeveelheid stof en vuil die in de machine opgenomen wordt.

**De Ventilator werkt alleen als koeling noodzakelijk is.**

3. Aan/Uit schakelaar: Schakelt de primaire spanning naar de machine.
4. Potmeter Hot Start (alleen LINC 405-SA): Hot Start is een tijdelijke verhoging van de lasstroom gedurende het starten (MMA) zodat de boog snel en zeker ontsteekt. Met deze potmeter is de mate van Hot Start regelbaar.
5. Snelkoppeling Minpool: Aansluiting van de Min (-) pool van het lascircuit.
6. Digitale Amperemeter Lasstroommet geheugenfunctie (alleen LINC 405-SA): Deze geeft de werkelijk lasstroom aan tijdens het lassen. Na het lassen geeft de gemiddelde lasstroom aan.
7. Regelaar lasstroom: Potmeter gebruikt om de lasstroom in te stellen (ook gedurende het lassen), van 15A tot 400A.
8. Schakelaar Afstandbediening: Afstandbediening K10095-1-15M of voetpedaal K870 kunnen gebruikt worden in combinatie met deze machine. Met de ze schakelaar maakt men keuze tussen stroomregeling op de machine of op afstand.
9. Potmeter Arc Force (alleen LINC 405-SA): Dit is een functie gebruikt tijdens het elektrode lassen (MMA) waarin de lasstroom tijdelijk verhoogd wordt voor het voorkomen en vrijbranden van kortsluitingen tussen elektrode en smeltbad tijdens het lassen.
10. Aansluiting Afstandbediening: Wanneer een afstandbediening gebruikt wordt kan deze hierop worden aangesloten.
11. Snelkoppeling Pluspool: Aansluiting van de Plus (+) pool van het lascircuit.



12. Zekering: Deze zekering beschermd de ventilator.
13. Aansluiting primaire kabel: Sluit een passende stekker aan op de reeds aanwezige netkabel. Zorg ervoor dat de stkker voldoet aan te plaatse geldende normen en aangesloten wordt door een gekwalificeerde monteur.
14. Afgedekt gat: Voor 48Vac Stekkerdoos voor K14027-1.
15. Afgedekt gat: Voor Automatische zekering welke het 48Vac circuit beschermd.

**Elektrode Lassen (MMA)**

Alvorens te starten met lassen moet men:

- Las- en werkstukkabels aansluiten op de + en – Pool en deze vergrendelen (door ¼ slag te draaien).
- Verbind de werkstukkabel met het werkstuk.
- Plaats een juiste elektrode in de elektrodehouder.
- Sluit de primaire kabel aan op het net.
- Zet de lokaal/afstand schakelaar in de gewenste positie.
- Schakel de machine in met de Aan/Uit schakelaar.
- Stel de gewenste lasstroom in met de knop Lasstroom.
- Start met lassen.

**Onderhoud**

**⚠ WAARSCHUWING**

Neem voor reparatie of onderhoud contact op met de dichtstbijzijnde Lincoln Electric dealer of Lincoln Electric service center zelf. Ondeskundig onderhoud en of reparatie uitgevoerd door niet bevoegde personen kunnen gevaarlijk zijn en zorgt ervoor dat de garantie vervalt.

De onderhoudsinterval kan variëren en is afhankelijk van meerdere factoren in de werkomgeving waarin deze machine geplaatst is.

Elke waarneembare schade moet onmiddellijk gemeld worden.

**Dagelijks onderhoud**

- Controleer de staat van kabels en connectors en vervang of repareer deze indien nodig.
- Controleer de werking van de koelventilator van de machine. Zorg ervoor dat de ventilatieopeningen van de machine schoon zijn en er voldoende ruimte

is voor een vrije luchtstroom.

### **Periodiek onderhoud (elke 200 werkuren maar niet minder dan 1 keer per jaar)**

Voer het dagelijks onderhoud uit, voer daarnaast de volgende werkzaamheden uit:

- Maak de machine schoon. Blaas de buitenkant en de binnenkant schoon met schone, droge perslucht (met een lage druk).
- Controleer alle schroeven en draai deze indien nodig vast.

#### **WAARSCHUWING**

De Primaire netvoeding moet voor elk onderhoud of servicebeurt uitgeschakeld worden. Controleer de Veiligheid van de machine na iedere reparatie.

## **Elektromagnetische Compatibiliteit (EMC)**

11/04

Deze machine is ontworpen in overeenstemming met alle van toepassing zijnde bepalingen en normen. Desondanks kan de machine elektromagnetische ruis genereren die invloed kan hebben op andere systemen zoals telecommunicatiesystemen (radio, televisie en telefoon) of beveiligingssystemen. Deze storing of interferentie kan leiden tot veiligheidsproblemen in het betreffende systeem. Lees en begrijp deze paragraaf om elektromagnetische interferentie (storing), opgewekt door deze machine, te elimineren of te beperken.



Deze installatie is ontworpen om in een industriële omgeving gebruikt te worden. Het is belangrijk om voor gebruik in een huiselijke omgeving aanvullende voorzorgsmaatregelen te nemen om mogelijke elektromagnetische interferentie te elimineren. De gebruiker dient deze machine te installeren en te gebruiken zoals beschreven in deze gebruiksaanwijzing. Indien elektromagnetische interferentie voorkomt, dient de gebruiker maatregelen te nemen om deze interferentie te elimineren. Indien nodig kan hij hiervoor assistentie vragen aan de dichtstbijzijnde Lincoln Electric vestiging.

Voordat de machine geïnstalleerd wordt dient de gebruiker de werkplek te controleren op apparatuur die t.g.v. interferentie slecht functioneren. Let hierbij op:

- Primaire- en secundaire kabels, stroomkabels en telefoonkabels in de directe en nabije omgeving van de werkplek en de machine.
- Radio en/of televisie zenders en ontvangers. Computers of computergestuurde apparatuur.
- Beveiligen en besturingen van industriële processen. Meet en ijk gereedschap.
- Persoonlijke medische apparatuur zoals pacemakers en gehoorapparaten.
- Controleer de elektromagnetische immuniteit van apparatuur op of nabij de werkplek. De gebruiker dient er zeker van te zijn dat alle apparatuur in de omgeving immuun is. Dit kan betekenen dat er aanvullende maatregelen genomen moeten worden.
- De dimensies van het gebied waarvoor dit geldt hangen af van de constructie en andere activiteiten die plaatsvinden.

Neem de volgende richtlijnen in acht om elektromagnetische emissie van de machine te beperken.

- Sluit de machine op het net aan zoals beschreven in deze gebruiksaanwijzing. Indien storing optreedt, kan het nodig zijn aanvullende maatregelen te nemen zoals bijvoorbeeld het filteren van de primaire spanning.
- Las en werkstuk kabels dienen zo kort mogelijk naast elkaar te liggen. Leg, indien mogelijk, het werkstuk aan aarde om elektromagnetische emissie te beperken. De gebruiker moet controleren of het aan aarde leggen van het werkstuk gevolgen heeft voor het functioneren van apparatuur en de veiligheid van personen.
- Het afschermen van kabels in het werkgebied kan elektromagnetische emissie beperken. Dit kan bij speciale toepassingen nodig zijn.

## Technische Specificaties

<b>PRIMAIR</b>			
Primaire spanning 230 / 400V $\pm$ 10% Drie fase	Nominaal primair vermogen 34 kVA @ 35% ID	Frequentie 50 Hertz (Hz)	
<b>NOMINALE OUTPUT BIJ 40°C</b>			
Inschakelduur (op basis van een 10 min. Cyclus) 35% 60% 100%	Lasstroom secundair  400A 315A 240A	Lasspanning  36.0 Vdc 33.0 Vdc 29.0 Vdc	
<b>SECUNDAIRE OUTPUT</b>			
Bereik lasstroom 15 – 400 Ampere		Maximum Open spanning 78 Vdc	
<b>AANBEVOLEN PRIMAIRE KABEL EN ZEKERINGEN</b>			
Primairezekering of zekeringautomaat 230V circuit: 63A traag 400V circuit: 40A traag		Primaire kabel 4 geleider, 6 mm <sup>2</sup>	
<b>AFMETINGEN EN GEWICHT</b>			
Hoogte 640 mm	Breedte 580 mm	Lengte 1150 mm (700 mm zonder handvatten)	Gewicht 126 Kg
Werktemperatuur -10°C tot +40°C		Opslagtemperatuur -25°C tot +55°C	



## VARNING

Denna utrustning får endast användas av behörig personal. Var noga med att enbart låta behörig personal utföra installation, drift, underhåll och reparationer. Läs igenom bruksanvisningen för full förståelse innan utrustningen tas i drift. Underlåtenhet att följa instruktionerna i bruksanvisningen kan medföra allvarliga personskador, förlust av liv eller skador på utrustningen. Det är viktigt att läsa, och förstå, förklaringarna nedan till varningssymbolerna. Lincoln Electric ikläder sig inget ansvar för skador som är orsakade av felaktig installation, eftersatt underhåll eller onormala driftförhållanden.

	<b>VARNING:</b> Symbolen innebär att instruktionerna måste följas för att allvarliga personskador, förlust av liv eller skador på utrustningen skall kunna undvikas. Skydda Er själv och andra mot allvarliga skador eller dödsfall.
	<b>LÄS OCH FÖRSTÅ INSTRUKTIONERNA:</b> Läs igenom, och förstå, den här bruksanvisningen innan utrustningen tas i drift. Ljusbågsvetsning kan vara farligt. Underlåtenhet att följa instruktionerna i bruksanvisningen kan medföra allvarliga personskador, förlust av liv eller skador på utrustningen.
	<b>ELEKTRISK STÖT KAN DÖDA:</b> En svetsutrustning skapar höga spänningar. Rör därför aldrig vid elektroden, jordklämman eller anslutna arbetsstycken när utrustningen är aktiv. Isolera Er från elektroden, jordklämman och anslutna arbetsstycken.
	<b>ELEKTRISK UTRUSTNING:</b> Stäng av matningsspänningen med hjälp av strömställaren på säkringsboxen innan något arbete utförs på utrustningen. Jorda utrustningen i enlighet med lokala elektriska föreskrifter.
	<b>ELEKTRISK UTRUSTNING:</b> Kontrollera regelbundet spänningsmatningen och kablarna till elektroden och jordklämman. Byt omedelbart ut kablar med skadad isolering. För att undvika att det oavsiktligt uppstår en ljusbåge får man aldrig placera elektrodhållaren direkt på svetsbordet eller på någon annan yta som är i kontakt med jordklämman.
	<b>ELEKTRISKA OCH MAGNETISKA FÄLT KAN VARA FARLIGA:</b> En elektrisk ström som flyter genom en ledare ger upphov till elektriska och magnetiska fält. Dessa kan störa vissa pacemakers och svetsare som har pacemaker måste konsultera sin läkare innan de använder den här utrustningen.
	<b>CE - MÄRKNING:</b> Denna utrustning är tillverkad i enlighet med relevanta EU direktiv.
	<b>ÅNGOR OCH GASER KAN VARA FARLIGA:</b> Vid svetsning kan det bildas hälsovådliga ångor och gaser. Undvik att andas in dessa ångor och gaser. För att undvika dessa risker måste operatören ha tillgång till tillräcklig ventilation eller utsug för att hålla ångorna och gaserna borta från andningszonen.
	<b>STRÅLNING FRÅN LJUSBÅGEN KAN GE BRÄNNSKADOR:</b> Använd en skärm eller svetshjälm med ett, för uppgiften, lämpligt filter för att skydda ögonen mot sprut och strålning från ljusbågen under svetsningen och när ljusbågen betraktas. Använd en lämplig klädsel av flamskyddat material för att skydda Din och Dina medhjälparens hud. Skydda personal i närheten med en lämplig skärm av icke brännbart material och varna dem så att de inte tittar på ljusbågen eller exponerar sig för ljusbågens strålning.
	<b>SVETSSPRUT KAN ORSAKA BRÄNDER ELLER EXPLOSION:</b> Avlägsna brännbara föremål från svetsområdet och ha alltid en eldsläckare till hands. Svetsnsprut och heta partiklar från svetsprocessen kan lätt passera genom små springor eller öppningar in till omkringliggande områden. Svetsa aldrig på tankar, fat, containers eller andra föremål innan Du har förvässat Dig om att det inte finns några brännbara eller giftiga ångor närvarande. Använd aldrig utrustningen i närheten av brännbara gaser, ångor eller vätskor.
	<b>SVETSAT MATERIAL KAN ORSAKA BRÄNNSKADOR:</b> Svetsning genererar mycket värme. Heta ytor och material i arbetsområdet kan orsaka allvarliga brännskador. Använd handskar och en tång för att flytta eller hantera material inom arbetsområdet.



**SÄKERHETSMÄRKNING:** Denna utrustning är lämplig att använda för svetsning i en miljö där det föreligger en förhöjd risk för elektrisk stöt.

## Instruktioner för Installation och Handhavande

Läs hela detta avsnitt innan installation och användning av utrustningen.

### Placering och arbetsmiljö

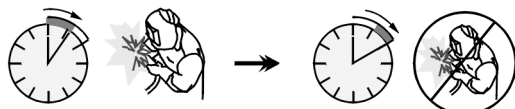
Maskinen är konstruerad för att arbeta under besvärliga förhållanden. Det är emellertid viktigt att vidta vissa enkla försiktighetsåtgärder för att säkerställa lång livslängd och tillförlitlig drift.

- Placera aldrig maskinen på en yta som lutar mer än 15° från horisontalplanet.
- Använd inte denna maskin för att tina frusna rör genom kortslutning.
- Maskinen måste placeras så att den fria strömningen av ren luft till och från ventilationsöppningarna inte hindras. Täck aldrig över maskinen med papper, trasor eller annat som kan hindra luftströmningen.
- Smuts och damm måste förhindras att sugas in i maskinen så långt det är möjligt.
- Maskinen håller skyddsklass IP23. Håll maskinen torr så långt det är praktiskt möjligt. Placera den inte på våt mark eller i vattenpölar.
- Placera inte maskinen i närheten av radiostyrd utrustning. Även vid normal användning kan funktionen hos radiostyrd utrustning störas allvarligt vilket kan leda till olyckor eller skada på utrustningen. Läs avsnittet om elektromagnetisk kompatibilitet i denna manual.
- Använd inte maskinen om omgivningstemperaturen överstiger 40°C.

### Intermittens och överhettning

En svetsmaskins intermittens är andelen tid i procent av ett tiominutersintervall som svetsaren kan använda svetsmaskinen vid märkström.

60% intermittens:

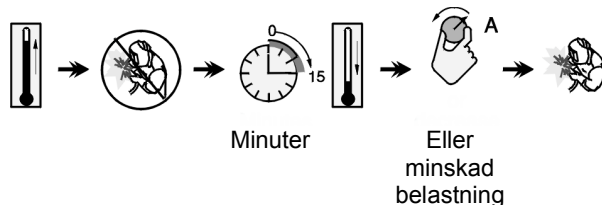


6 minuters belastning.

4 minuters uppehåll.

Överskridning av intermittenstiden aktiverar överhettningsskyddet.

Svetsningstransformatorn i maskinen skyddas mot överhettning av en termostat. När maskinen överhettas bryts svetsströmmen och överhettningsslampan tänds. När maskinen svalnat till en säker temperatur släcks överhettningsslampan och maskinen kan användas igen.



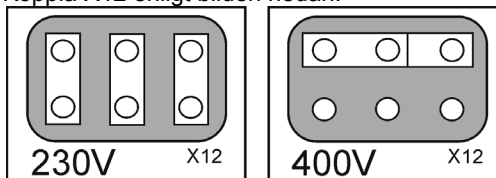
### Inkoppling av matningsspänning

Installation av nätkontakter ska göras i enlighet med gällande regler.

Kontrollera matningsspänning, fas och frekvens inkopplat till maskinen innan den sätts på. Kontrollera att maskinen är korrekt jordad. Tillåten matningsspänning är 3x230V och 3x400V (förvald inställning: 400V). För ytterligare information om matningsspänning se avsnittet om tekniska specifikationer i denna manual samt märkplåten på maskinen.

Om matningsspänningen behöver ändras:

- Kontrollera att maskinen är avstängd och fränkopplad från elnätet.
- Ta bort den övre plåten på maskinen.
- Koppla X12 enligt bilden nedan.



- Sätt tillbaka den över plåten.

Kontrollera att den installerade effekten är tillräcklig i förhållande till maskinens normala drift. Nödvändiga säkringar och kabelareor finns angivna i avsnittet om Tekniska data.

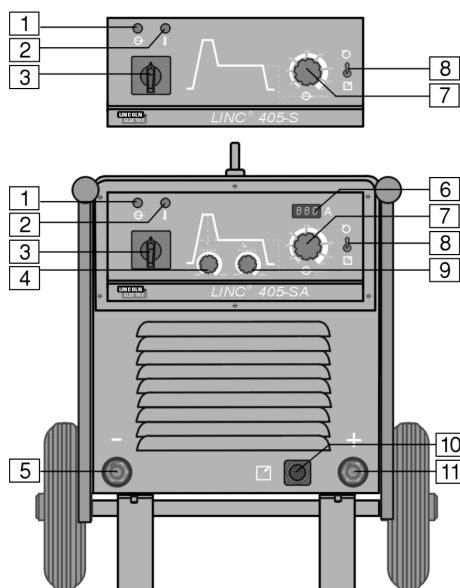
Se punkterna 1, 3, 12 och 13 i bilderna nedan.

### Inkoppling av svetskablar

Se punkterna 5, 10 och 11 i bilderna nedan.



## Reglage, anslutningar och funktioner



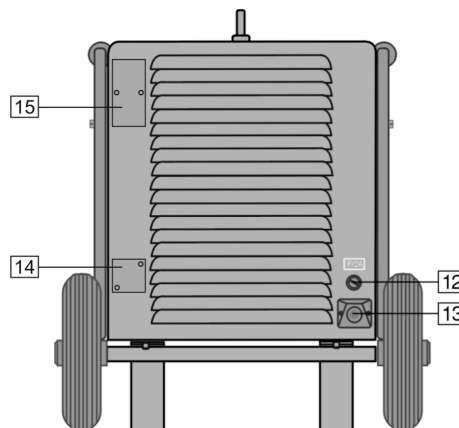
1. **Nätspänningsindikator:** När nätspänning är ansluten och nätbrytaren är påslagen tänds denna lampa och indikerar att maskinen är klar att använda.
2. **Överhettningsskylt:** Denna lampa lyser när överhettningsskyddet är aktiverat och svettströmmen automatiskt avstängd. Detta kan hända om den omgivande temperaturen är över 40°C eller om maskinens intermitterande överskridits. Låt maskinen svalna, när lampan slocknar är maskinen klar att användas igen.
  - Termostatisk fläkt: denna fläkt styrs av överhettningsskyddet vilket innebär att energiförbrukningen minskas och mängden andelen smuts och damm som dras till maskinen minimeras.

### Fläkten startar endast om maskinen behöver kylas ner.

3. **Nätbrytare:** Kontrollerar nätspänningen till maskinen.
4. **Reglerbar Hot Start (endast LINC 405-SA):** Hot Start är en tillfällig ökning av svetsströmmen i startögonblicket för att tända elektroden snabbt och tillförlitligt. Möjliggör justering av denna tillfälliga strömökning.
5. **Minusterminal:** Minusanslutning för svetskablagen.
6. **Digital amperemeter med minnesfunktion (Endast LINC 405-SA):** Visar aktuell svetsström under svetsning; när svetsningen är avslutad visas svetsströmmen medelvärde.
7. **Svetsström:** Potentiometer för att reglera svetsströmmen (även under svetsning) från 15 till 400 A.
8. **Lokal/fjärrkontrollsknapp:** Fjärrkontrollerna K10095-1-15M och K870 kan användas till denna maskin. Knappen bestämmer om maskinens

potentiometer (nummer 7) eller fjärrkontrollens potentiometer ska användas.

9. **Bågtrycks kontroll (endast LINC 405-SA):** En funktion för att reglera den tillfälliga strömökning som bryter de kortslutningar mellan svetsselektrod och smältbad som uppstår vid normal svetsning.
10. **Fjärrkontrolluttag:** Fjärrkontrollen K10095-1-15M eller K870 passar till denna maskin.
11. **Plusterminal:** Plusanslutning för svetskablagen.



12. **Säkring:** Säkring som skyddar fläktkretsen.
13. **Nätkabel:** Koppla nätkontakten till den existerande nätkabel som ska vara dimensionerad enligt avsnittet om Tekniska Specifikationer och gällande regler. Endast kvalificerad personal ska koppla in denna kontakt.
14. **Pluggat hål:** För 48Vac uttag K14027-1.
15. **Pluggat hål:** För automatsäkring som skyddar 48Vac uttaget K14027-1.

## Elektrods svetsning (MMA)

Bestäm först lämplig polaritet för den elektrod som skall användas. Se data på elektrodens förpackning.

- Anslut därefter svetskablarna till maskinens terminaler med den valda polariteten. Exemplet nedan visar inkoppling med positiv elektrod, likspänning (+).
- Anslut elektrod kabeln till maskinens plus (+) terminal och återledarkabeln och jordklämman till maskinens minus (-) terminal.
- Anslut hankontakten så att stiftet på kopplingen antrår slitsen på hankontakten på strömkällan. Dra åt cirka ett ¼ varv medurs. Dra inte åt för hårt.
- För svetsning med negativ elektrod (-), kasta om kabelanslutningarna på maskinen så att elektrod kabeln ansluts till (-) och återledarkabeln till (+).

## Underhåll

### ⚠ WARNING

Kontakta närmaste auktoriserade verkstad, eller Lincoln Electric, för åtgärder när det gäller service och underhåll eller reparationer. Underhåll och reparationer som genomförs av icke auktoriserade verkstäder eller

personer upphäver tillverkarens garantiåtagande och gör detta ogiltigt.

Underhållsintervallen varierar med maskinens arbetsförhållanden.

Synliga skador ska åtgärdas omedelbart.

### Rutinmässigt underhåll (dagligen)

- Kontrollera kablarnas och anslutningarnas skick. Byt ut om nödvändigt.
- Kontrollera att kylfläkten fungerar. Håll ventilationsgallren rena.

### Periodiskt underhåll (efter 200 arbetstimmar, dock minst en gång per år)

Gör det rutinmässiga underhållet, samt:

- Rengör maskinen. Lossa plåtarna och använd tryckluft (torr luft med lågt tryck) för att avlägsna damm från maskinens utsida och insida.
- Kontrollera och dra åt alla skruvar.

### VARNING

Koppla loss maskinen från elnätet före underhåll och service. Testa maskinen efter reparation för att säkerställa en säker funktion.

## Elektromagnetisk Kompatibilitet (EMC)

11/04

Den här maskinen är tillverkad i enlighet med alla relevanta direktiv och standarder. Trots detta kan den ge upphov till elektromagnetiska störningar som kan påverka andra system, som t.ex. telekommunikationer (telefon, radio och television) eller andra säkerhetssystem. Dessa störningar kan ge upphov till säkerhetsproblem i de påverkade systemen. Läs det här avsnittet för att få en bättre kunskap om hur man eliminerar eller minskar de elektromagnetiska störningar som maskinen ger upphov till.



Maskinen är konstruerad för att användas i industriell miljö. Om den skall användas i hemmiljö är det nödvändigt att vidta särskilda försiktighetsåtgärder för att undanröja de elektromagnetiska störningar som kan tänkas uppträda. Utrustningen måste installeras och manövreras på det sätt som beskrivs i den här bruksanvisningen. Om elektromagnetiska störningar upptäcks under drift måste man vidta lämpliga åtgärder för att eliminera dessa. Om det är nödvändigt kan detta ske med hjälp från Lincoln Electric. Det är inte tillåtet att genomföra förändringar eller modifieringar på maskinen utan skriftligt tillstånd från Lincoln Electric.

Innan maskinen installeras måste man kontrollera arbetsområdet så att där inte finns några maskiner, apparater eller annan utrustning vars funktion kan störas av elektromagnetiska störningar. Beakta särskilt följande:

- Nätkablar, svetskablar, manöverkablar och telefonkablar som befinner sig inom eller i närheten av maskinens arbetsområde.
- Radio och/eller televisionssändare eller mottagare. Datorer och datorstyrd utrustning.
- Säkerhets- och övervakningssystem för industriella processer. Utrustning för mätning och kalibrering.
- Medicinska hjälpmedel för personligt bruk som t.ex. pacemaker och hörapparater.
- Kontrollera den elektromagnetiska störkänsligheten för utrustning som skall arbeta i arbetsområdet eller i dess närhet. Operatören måste förvissa sig om att all utrustning inom området är kompatibel i detta avseende vilket kan kräva ytterligare skyddsåtgärder.
- Arbetsområdets storlek är beroende av områdets utformning och de övriga aktiviteter som kan förekomma där.

Beakta följande riktlinjer för att reducera maskinens elektromagnetiska strålning.

- Koppla in maskinen till spänningsförsörjningen enligt anvisningarna i den här bruksanvisningen. Om störningar uppstår kan det bli nödvändigt att installera ett filter på primärsidan.
- Svetskablar skall hållas så korta som möjligt och de skall placeras intill varandra. Jorda arbetsstycket, om det är möjligt, för att på så sätt minska den elektromagnetiska strålningen. Man måste emellertid kontrollera att jordningen inte medför andra problem eller medför risker för utrustning och personal.
- Att använda skärmade kablar inom arbetsområdet kan reducera den elektromagnetiska strålningen. Detta kan bli nödvändigt för vissa speciella tillämpningar.

## Tekniska Specifikationer

<b>NÄTSIDA</b>			
Nätspänning 230 / 400V ± 10% 3-fas	Effektförbrukning 34 kVA @ 35% Intermittens	Frekvens 50 Hertz (Hz)	
<b>SVETSDATA VID 40°C</b>			
INTERMITTENS (Baserat på 10 min. period) 35% 60% 100%	Svetsström  400A 315A 240A	Svetsspänning  36.0 Vdc 33.0 Vdc 29.0 Vdc	
<b>SVETSOMRÅDE</b>			
Svetsströmsområde 15 – 400 A		Max. tomgångsspänning 78 Vdc	
<b>REKOMMENDERADE NÄTKABLAR OCH SÄKRINGAR</b>			
Smält- eller automatsäkring 63A Trög (230V) 40A Trög (400V)		Nätkabel 4 x 6mm <sup>2</sup>	
<b>MÅTT OCH VIKT</b>			
Höjd 640 mm	Bredd 580 mm	Längd 1150 mm (700 mm exkl. handtag)	Vikt 126 Kg
Omgivningstemp. vid användning -10°C till +40°C		Förvaringstemperatur -25°C till +55°C	



## OSTRZEŻENIE

Urządzenie to może być używane tylko przez wykwalifikowany personel. Należy być pewnym, że instalacja, obsługa, przeglądy i naprawy są przeprowadzane tylko przez osoby wykwalifikowane. Instalacji i eksploatacji tego urządzenia można dokonać tylko po dokładnym zapoznaniu się z tą instrukcją obsługi. Nieprzestrzeganie zaleceń zawartych w tej instrukcji może narazić użytkownika na poważne obrażenie ciała, śmierć lub uszkodzenie samego urządzenia. Lincoln Electric nie ponosi odpowiedzialności za uszkodzenia spowodowane niewłaściwą instalacją, niewłaściwą konserwacją lub nienormalną obsługą.

	<b>OSTRZEŻENIE:</b> Symbol ten wskazuje, że bezwzględnie muszą być przestrzegane instrukcje dla uniknięcia poważnego obrażenia ciała, śmierci lub uszkodzenia samego urządzenia. Chroń siebie i innych przed możliwym poważnym obrażeniem ciała lub śmiercią.
	<b>CZYTAJ ZE ZROZUMIENIEM INSTRUKCJĘ:</b> Przed rozpoczęciem użytkowania tego urządzenia przeczytaj niniejszą instrukcję ze zrozumieniem. Łuk spawalniczy może być niebezpieczny. Nieprzestrzeganie instrukcji tutaj zawartych może spowodować poważne obrażenia ciała, śmierć lub uszkodzenie samego urządzenia.
	<b>PORAŻENIE ELEKTRYCZNE MOŻE ZABIĆ:</b> Urządzenie spawalnicze wytwarza wysokie napięcie. Nie dotykać elektrody, uchwytu spawalniczego lub podłączonego materiału spawanego, gdy urządzenie jest załączone do sieci. Odizolować siebie od elektrody, uchwytu spawalniczego i podłączonego materiału spawanego.
	<b>URZĄDZENIE ZASILANE ELEKTRYCZNIE:</b> Przed przystąpieniem do jakichkolwiek prac przy tym urządzeniu odłączyć jego zasilanie sieciowe. Urządzenie to powinno być zainstalowane i uziemione zgodnie z zaleceniami producenta i obowiązującymi przepisami.
	<b>URZĄDZENIE ZASILANE ELEKTRYCZNIE:</b> Regularnie sprawdzać kable zasilający i spawalnicze z uchwytem spawalniczym i zaciskiem uziemiającym. Jeżeli zostanie zauważone jakiegokolwiek uszkodzenie izolacji, natychmiast wymienić kabel. Dla uniknięcia ryzyka przypadkowego zapłonu nie kłaść uchwytu spawalniczego bezpośrednio na stół spawalniczy lub na inną powierzchnię mającą kontakt z zaciskiem uziemiającym.
	<b>POLE ELEKTROMAGNETYCZNE MOŻE BYĆ NIEBEZPIECZNE:</b> Prąd elektryczny płynący przez jakikolwiek przewodnik wytwarza wokół niego pole elektromagnetyczne. Pole elektromagnetyczne może zakłócać pracę rozruszników serca i spawacze z wszczepionym rozrusznikiem serca przed podjęciem pracy z tym urządzeniem powinni skonsultować się ze swoim lekarzem.
	<b>ZGODNOŚĆ Z CE:</b> Urządzenie to spełnia zalecenia Europejskiego Komitetu CE.
	<b>OPARY I GAZY MOGĄ BYĆ NIEBEZPIECZNE:</b> W procesie spawania mogą powstawać opary i gazy niebezpieczne dla zdrowia. Unikać wdychania tych oparów i gazów. Dla uniknięcia takiego ryzyka musi być zastosowana odpowiednia wentylacja lub wyciąg usuwający opary i gazy ze strefy oddychania.
	<b>PROMIENIE ŁUKU MOGĄ POPARZYĆ:</b> Stosować maskę ochronną z odpowiednim filtrem i osłony dla zabezpieczenia oczu przed promieniami łuku podczas spawania lub jego nadzoru. Dla ochrony skóry stosować odpowiednią odzież wykonaną z wytrzymałego i niepalnego materiału. Chronić personel postronny, znajdujący się w pobliżu, przy pomocy odpowiednich, niepalnych ekranów lub ostrzegać ich przed patrzeniem na łuk lub wystawianiem się na jego oddziaływanie.
	<b>ISKRY MOGĄ SPOWODOWAĆ POŻAR LUB WYBUCH:</b> Usuwać wszelkie zagrożenie pożarem z obszaru prowadzenia prac spawalniczych. W pogotowiu powinny być odpowiednie środki gaśnicze. Iskry i rozgrzany materiał pochodzące od procesu spawania łatwo przenikają przez małe szczeliny i otwory do przyległego obszaru. Nie spawać żadnych pojemników, bębnow, zbiorników lub materiału dopóki nie zostaną podjęte odpowiednie kroki zabezpieczające przed pojawieniem się łatwopalnych lub toksycznych gazów. Nigdy nie używać tego urządzenia w obecności łatwopalnych gazów, oparów lub łatwopalnych cieczy.
	<b>SPAWANY MATERIAŁ MOŻE POPARZYĆ:</b> Proces spawania wytwarza dużą ilość ciepła. Rozgrzane powierzchnie i materiał w polu pracy mogą spowodować poważne poparzenia. Stosować rękawice i szcypce, gdy dotykamy lub przemieszczamy spawany materiał w polu pracy.



**ZNAK BEZPIECZEŃSTWA:** Urządzenie to jest przystosowane do zasilania sieciowego, do prac spawalniczych prowadzonych w środowisku o podwyższonym ryzyku porażenia elektrycznego.

## Instrukcja Instalacji i Eksploatacji

Przed instalacją i rozpoczęciem użytkowania tego urządzenia należy przeczytać cały ten rozdział.

### Warunki Eksploatacji

Urządzenie to może pracować w ciężkich warunkach. Jednakże ważnym jest zastosowanie prostych środków zapobiegawczych, które zapewnią długą żywotność i niezawodną pracę, między innymi:

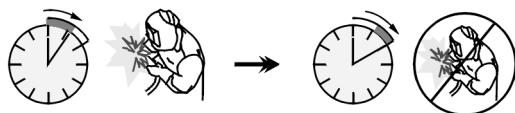
- Nie umieszczać i nie użytkować tego urządzenia na powierzchni o pochyłości większej niż 15°.
- Nie używać tego urządzenia do rozmrażania rur.
- Urządzenie to musi być umieszczone w miejscu gdzie występuje swobodna cyrkulacja czystego powietrza bez ograniczeń przepływu powietrza do i od wentylatora. Gdy urządzenie jest załączone do sieci, niczym go nie przykrywać np. papierem lub ścierką.
- Ograniczyć do minimum brud i kurz, które mogą przedostać się do urządzenia.
- Urządzenie to posiada stopień ochrony obudowy IP23. Utrzymywać je suchym o ile to możliwe i nie umieszczać na mokrym podłożu lub w kałuży.
- Urządzenie to powinno być umieszczone z dala od urządzeń sterowanych drogą radiową. Jego normalna praca może niekorzystnie wpłynąć na ulokowane w pobliżu urządzenia sterowane radiowo, co może doprowadzić do obrażenia ciała lub uszkodzenia urządzenia. Przeczytaj rozdział o kompatybilności elektromagnetycznej zawarty w tej instrukcji.
- Nie używać tego urządzenia w temperaturach otoczenia wyższych niż 40°C.

### Cykl Pracy i Przegrzanie

Cykl pracy urządzenia jest procentowym podziałem 10 minut na czas, przy którym spawacz może spawać ze znamionową wartością prądu spawania, i na czas koniecznej przerwy w pracy.

- Wydłużenie cyklu pracy urządzenia może spowodować uaktywnienie układu zabezpieczenia termicznego.

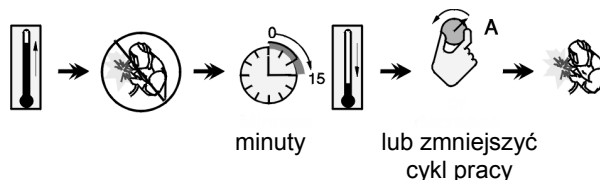
60% cykl pracy:



6 minut spawania

4 minuty przerwy

Urządzenie jest zabezpieczone przed nadmiernym nagrzewaniem się uzwojeń transformatora przez ogranicznik temperatury. Uaktywnienie się zabezpieczenia sygnalizowane jest przez zaświecenie się lampki. Po uzyskaniu przez uzwojenia normalnej temperatury pracy następuje samoczynne załączenie urządzenia a lampka gaśnie.



minuty

lub zmniejszyć  
cykl pracy

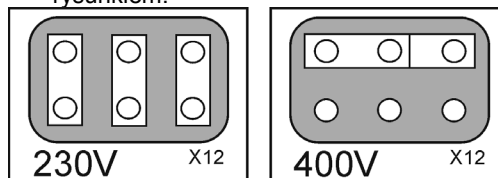
### Podłączanie napięcia zasilającego

Instalacja i gniazdo zasilania sieciowego muszą być wykonane i zabezpieczone zgodnie z właściwymi przepisami.

Przed załączeniem urządzenia sprawdzić parametry sieci zasilającej (napięcie, fazy, częstotliwość). Sprawdzić także połączenie przewodów ochronnych pomiędzy urządzeniem a źródłem zasilania. Urządzenie może być zasilane z sieci trójfazowej 3x400V, 50Hz lub 3x230V, 50Hz (400V: ustawienie fabryczne). Więcej informacji na temat parametrów napięcia zasilającego można odczytać w rozdziale z danymi technicznymi tej instrukcji oraz na tabliczce znamionowej urządzenia.

Jeżeli konieczna jest zmiana napięcia zasilającego należy:

- Wyłączyć urządzenie i odłączyć napięcie zasilające od przewodu zasilającego.
- Zdjąć płytę górną z urządzenia.
- Przełączyć listwę X12 zgodnie z poniższym rysunkiem.



- Założyć płytę górną na urządzenie.

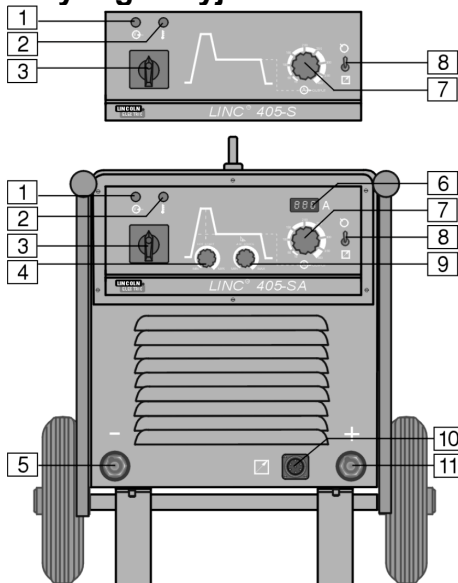
Upewnić się, że moc źródła zasilania jest odpowiednia do normalnej pracy urządzenia. Niezbędny bezpiecznik zwłocznny (lub wyłącznik nadprądowy z charakterystyką „D”) oraz rodzaj przewodu zasilającego można odczytać w rozdziale z danymi technicznymi tej instrukcji.

Patrz pozycje 1, 3, 12 i 13 na poniższych rysunkach.

### Zaciski wyjściowe

Patrz pozycje 5, 10 i 11 na poniższych rysunkach.

## Elementy regulacyjne i właściwości



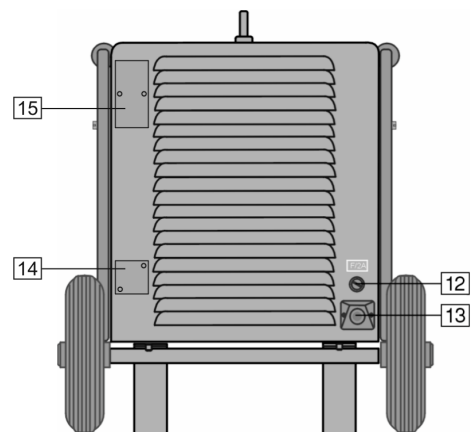
1. **Wskaźnik załączenia do sieci:** Po przyłączeniu sieci zasilającej i ustawieniu wyłącznika sieciowego w położeniu włączony, lampka ta zaświeca się wskazując, że urządzenie jest gotowe do pracy.
2. **Wskaźnik zabezpieczenia termicznego:** Lampka ta zaświeca się gdy urządzenie ulegnie przegrzaniu - wyjście zostaje odłączone. Dzieje się to wtedy gdy temperatura otoczenia jest powyżej 40°C lub jest przekroczony cykl pracy urządzenia. W takim przypadku należy urządzenie pozostawić załączonym do sieci i pozwolić na ostudzenie części wewnętrznych. Po zgaśnięciu lampki jest możliwa normalna praca.
  - Wentylator termostatyczny: Wentylator urządzenia jest sterowany przez dodatkowy układ zabezpieczenia termicznego. Cecha ta pozwala na oszczędności energii i minimalizację ilości brudu i innych zanieczyszczeń zasysanych do wnętrza urządzenia.

**Wentylator pracuje tylko wtedy, gdy chłodzenie urządzenia jest potrzebne.**

3. **Wyłącznik zasilania sieciowego:** Załącza napięcie zasilające do urządzenia.
4. **Regulator Hot Start (tylko LINC 405-SA):** Funkcja Hot Start polega na chwilowym wzroście wartości prądu wyjściowego podczas zajarzania łuku dla metody MMA – przyspiesza to zapłon. Pokrętkę to zapewnia regulację poziomu wzrostu prądu.
5. **Ujemne gniazdo wyjściowe:** Ujemny zacisk wyjściowy obwodu spawalniczego.
6. **Cyfrowy miernik prądu spawania z pamięcią (tylko LINC 405-SA):** Pokazuje aktualną wartość prądu spawania w trakcie procesu spawania, po jego zakończeniu wyświetla średnią wartość prąd spawania.
7. **Pokrętkę regulacji prądu wyjściowego:** Pozwala na

regulację prądu wyjściowego w zakresie od 15 do 400A (także w trakcie procesu spawania).

8. **Przełącznik sterowania Miejscowe/Zdalne:** Z tym urządzeniem może współpracować jednostka zdalnego sterowania K10095-1-15M lub K870. Ten przełącznik przekazuje sterowanie prądem wyjściowym z pokrętła regulacji (punkt 7) na zdalne sterowanie i odwrotnie.
9. **Regulator Arc Force (tylko LINC 405-SA):** Jest to funkcja stosowana w metodzie spawania MMA, która polega na chwilowym wzroście prądu wyjściowego dla przerwania zwarcia pomiędzy elektrodą a materiałem spawanym co często się zdarza podczas spawania.
10. **Gniazdo zdalnego sterowania:** Przy zastosowaniu zdalnego sterowania podłącza się do niego jednostkę zdalnego sterowania.
11. **Dodatnie gniazdo wyjściowe:** Dodatni zacisk wyjściowy obwodu spawalniczego.



12. **Bezpiecznik:** Ten bezpiecznik zabezpiecza układ zasilania wentylatora.
13. **Gniazdo kabla zasilającego:** Do istniejącego kabla zasilającego podłączyć wtyczkę odpowiednią do danych znamionowych urządzenia zamieszczonych w tej instrukcji i zgodną z obowiązującymi przepisami. Podłączenia powinna dokonać osoba posiadająca uprawnienia.
14. **Zaślepka otworu:** Do podłączenia gniazda 48Vac K14027-1.
15. **Zaślepka otworu:** Do podłączenia bezpiecznika zabezpieczającego gniazdo 48Vac K14027-1.

## Spawanie metodą MMA

Dla rozpoczęcia procesu spawania metodą MMA należy:

- Włożyć wtyki kabli spawalniczych do odpowiednich gniazd i zablokować je.
- Za pomocą zacisku uziemiającego podłączyć spawalniczy kabel powrotny do materiału spawanego.
- Zamocować odpowiednią elektrodę w uchwycie spawalniczym.
- Włożyć wtyk kabla zasilającego do gniazda sieci zasilającej.
- Ustawić przełącznik zdalnego sterowania we właściwym położeniu: miejscowe lub zdalne.

- Wyłącznikiem zasilania włączyć napięcie zasilające urządzenia.
- Przy pomocy pokrętki prądu wyjściowego ustawić wymaganą wartość prądu spawania.
- Zachowując właściwe zasady można przystąpić do spawania.

## Konserwacja

### UWAGA

W celu dokonania jakichkolwiek napraw lub czynności konserwacyjnych zaleca się kontakt z najbliższym serwisem lub firmą Lincoln Electric. Dokonywanie napraw przez osoby lub firmy nieposiadające autoryzacji spowoduje utratę praw gwarancyjnych.

Częstotliwość wykonywania czynności konserwacyjnych może różnić się w zależności od środowiska, w jakim urządzenie pracuje.

Jakiegokolwiek zauważone uszkodzenia powinny być natychmiastowo zgłaszane.

### Konserwacja podstawowa (codzienna)

- Sprawdzać stan kabli i poprawność połączeń.

Wymienić, jeśli to konieczne.

- Sprawdzać stan i działanie wentylatora chłodzącego. Utrzymywać czyste otwory wlotu i wylotu powietrza chłodzącego.

### Konserwacja okresowa (po każdym 200 godzinach pracy, lecz nie rzadziej niż raz w roku)

Wykonywać konserwację podstawową oraz, dodatkowo:

- Utrzymywać urządzenie w czystości. Wykorzystując strumień suchego powietrza (pod niskim ciśnieniem) usunąć kurz z części zewnętrznych obudowy i z wnętrza spawarki.
- Sprawdzać i dokręcać wszystkie śruby.

### UWAGA

Sieć zasilająca musi być odłączona od urządzenia przed każdą czynnością konserwacyjną i serwisową. Po każdej naprawie wykonać odpowiednie sprawdzenie w celu zapewnienia bezpieczeństwa użytkownika.

## Kompatybilność Elektromagnetyczna (EMC)

11/04

Urządzenie to zostało zaprojektowane zgodnie ze wszystkimi odnośnymi zaleceniami i normami. Jednakże może ono wytwarzać zakłócenia elektromagnetyczne, które mogą oddziaływać na inne systemy takie jak systemy telekomunikacyjne (telefon, odbiornik radiowy lub telewizyjny) lub systemy zabezpieczeń. Zakłócenia te mogą powodować problemy z zachowaniem wymogów bezpieczeństwa w odnośnych systemach. Dla wyeliminowania lub zmniejszenia wpływu zakłóceń elektromagnetycznych wytwarzanych przez to urządzenie należy dokładnie zapoznać się z zaleceniami tego rozdziału.



Urządzenie to zostało zaprojektowane do pracy w obszarze przemysłowym. Aby używać go w gospodarstwie domowym niezbędne jest przestrzeganie specjalnych zabezpieczeń koniecznych do wyeliminowania możliwych zakłóceń elektromagnetycznych. Urządzenie to musi być zainstalowane i obsługiwane tak jak to opisano w tej instrukcji. Jeżeli stwierdzi się wystąpienie jakiegokolwiek zakłóceń elektromagnetycznych obsługujący musi podjąć odpowiednie działania celem ich eliminacji i w razie potrzeby skorzystać z pomocy Lincoln Electric. Nie dokonywać żadnych zmian w tym urządzeniu bez pisemnej zgody Lincoln Electric.

Przed zainstalowaniem tego urządzenia, obsługujący musi sprawdzić miejsce pracy czy nie znajdują się tam jakieś urządzenia, które mogłyby działać niepoprawnie z powodu zakłóceń elektromagnetycznych. Należy wziąć pod uwagę:

- Kable wejściowe i wyjściowe, przewody sterujące i przewody telefoniczne, które znajdują się w, lub w pobliżu miejsca pracy i urządzenia.
- Nadajniki i odbiorniki radiowe lub telewizyjne. Komputery lub urządzenia sterowane komputerowo
- Urządzenia systemów bezpieczeństwa i sterujące stosowane w przemyśle. Sprzęt służący do pomiarów i kalibracji.
- Osobiste urządzenia medyczne takie jak rozruszniki serca czy urządzenia wspomagające słuch.
- Sprawdzać odporność elektromagnetyczną sprzętu pracującego w, lub w miejscu pracy. Obsługujący musi być pewien, że cały sprzęt w obszarze pracy jest kompatybilny. Może to wymagać dodatkowych pomiarów.
- Wymiary miejsca pracy, które należy brać pod uwagę będą zależały od konfiguracji miejsca pracy i innych czynników, które mogą mieć miejsce.

Ażeby zmniejszyć emisję promieniowania elektromagnetycznego urządzenia należy wziąć pod uwagę następujące wskazówki:

- Podłączyć urządzenie do sieci zasilającej zgodnie ze wskazówkami tej instrukcji. Jeśli mimo to pojawią się zakłócenia, może zaistnieć potrzeba przedsięwzięcia dodatkowych zabezpieczeń takich jak np. filtrowanie napięcia zasilania.
- Kable wyjściowe powinny być możliwie krótkie i ułożonym razem, jak najbliżej siebie. Dla zmniejszenia promieniowania elektromagnetycznego, jeśli to możliwe należy uziemiać miejsce pracy. Obsługujący musi sprawdzić czy połączenie miejsca pracy z ziemią nie powoduje żadnych problemów lub nie pogarsza warunków bezpieczeństwa dla obsługi i urządzenia.
- Ekranowanie kabli w miejscu pracy może zmniejszyć promieniowanie elektromagnetyczne. Dla pewnych zastosowań może to okazać się niezbędne.

## Dane Techniczne

PARAMETRY WEJŚCIOWE			
Napięcie zasilania 230 / 400V ± 10% 3 - fazy	Pobór mocy z sieci 34 kVA @ 35% cykl pracy	Częstotliwość 50 Hertz (Hz)	
ZNAMIONOWE PARAMETRY WYJŚCIOWE PRZY 40°C			
Cykl pracy (Oparty na 10 min. okresie) 35% 60% 100%	Prąd wyjściowy 400A 315A 240A	Napięcie wyjściowe 36.0 Vdc 33.0 Vdc 29.0 Vdc	
ZAKRES PARAMETRÓW WYJŚCIOWYCH			
Zakres prądu spawania 15 – 400 A		Maksymalne napięcie stanu jałowego 78 Vdc	
ZALECANE PARAMETRY PRZEWODU I BEZPIECZNIKA ZASILANIA			
Bezpiecznik lub wyłącznik nadprądowy 63A zwłoczny (dla 230V) 40A zwłoczny (dla 400V)		Przewód zasilający 4 żyłowy, 6mm <sup>2</sup>	
WYMIARY			
Wysokość 640 mm	Szerokość 580 mm	Długość 1150 mm (700 mm bez rączek)	Waga 126 Kg
Temperatura pracy -10°C to +40°C		Temperatura składowania -25°C to +55°C	





## VAROITUS

Tätä laitetta pitää käyttää koulutuksen saanut henkilökunta. Varmista, että asennus, käyttö, huolto ja korjaus tapahtuvat koulutettujen henkilöiden toimesta. Lue ja ymmärrä tämä käyttöohje ennen koneen käyttöä. Tämän käyttöohjeen ohjeiden noudattamatta jättäminen voi aiheuttaa vakavia henkilövahinkoja, kuoleman, tai laitteen rikkoutumisen. Lue ja ymmärrä seuraavat varoitussymbolien selitykset. Lincoln Electric ei ole vastuullinen vahingoista jotka aiheutuvat virheellisestä asennuksesta, väärästä ylläpidosta tai epänormaalista käytöstä.

	<b>VAROITUS:</b> Tämä symboli tarkoittaa, että ohjeita on noudatettava vakavien henkilövahinkojen, kuoleman tai laitevahinkojen välttämiseksi. Suojaa itsesi ja muut vahinkojen ja kuoleman varalta.
	<b>LUE JA YMMÄRRÄ OHJEET:</b> Lue ja ymmärrä tämän käyttöohje ennen laitteen käyttöä. Kaarihitsaus voi olla vaarallista. Tämän käyttöohjeen ohjeiden noudattamatta jättäminen voi aiheuttaa vakavia henkilövahinkoja, kuoleman tai laitevahinkoja.
	<b>SÄHKÖISKU VOI TAPPAA:</b> Hitsauslaite kehittää korkean jännitteen. Älä koske puikkoon tai maattopuristimeen, tai työkappaleeseen kun laite on päällä. Eristä itsesi puikosta, elektrodista ja maattopuristimesta ja työkappaleesta.
	<b>SÄHKÖLAITE:</b> Ennen kuin korjaat tai huollat laitetta, irrota se verkosta. Maadoita laite paikallisten määräysten mukaan.
	<b>SÄHKÖLAITE:</b> Tarkista säännöllisesti syöttökaapeli ja hitsauskaapelit. Mikäli on eristevikoja, vaihda kaapelit välittömästi. Älä aseta puikonpidintä suoraan hitsauspöydälle, tai muuhun paikkaan, joka on kosketuksessa maattopuristimeen, valokaaren välttämiseksi.
	<b>SÄHKÖ-, JA MAGNEETTIKENTÄT VOIVAT OLLA VAARALLISIA:</b> Sähkövirran kulkiessa johtimen läpi, muodostuu sähkö-, ja magneettikenttiä (EMF). EMF kentät voivat häiritä sydämentahdistimia, ja henkilö jolla on sydämentahdistin pitää neuvotella ensin lääkärisä kanssa, ennen laitteen käyttöä.
	<b>CE YHTEENSOPIVUUS:</b> Tämä laite yhteensopiva EU:n direktiivien kanssa.
	<b>KAASUT JA HUURUT VOIVAT OLLA VAARALLISIA:</b> Hitsaus tuottaa terveydelle haitallisia kaasuja huuruja. Vältä hengittämästä näitä kaasua ja huuruja. Näiden haittojen välttämiseksi on käytettävä riittävää tuuletusta tai savunpoistoa, jotta kaasut ja huurut eivät joudu hengitykseen.
	<b>KAAREN SÄTEILY VOI POLTTAA:</b> Käytä suojalaseja, joissa on riittävä suodatus ja suojalaseja, jotka suojaavat silmät säteiltä ja roiskeilta. Käytä sopivaa vaatetusta liekin kestävästä materiaalista suojataksesi itsesi ja avustajasi ihon. Suojaa muu henkilökunta sopivalla ei-palavalla verholla, varoita heitä katsomasta kaareen ja altistumasta kaarisäteilylle.
	<b>HITSAUSKIPINÄT VOIVAT AIHEUTTAA TULIPALON TAI RÄJÄHDYKSEN:</b> Siirrä kaikki palonarot materiaali hitsausalueelta ja pidä sammutin lähellä. Roiskeet voivat lentää pienistä aukoista lähialueelle. Älä hitsaa säiliöitä, tynnyreitä tms, ennen kuin on tehty ennakoivat toimenpiteet, ettei läsnä ole räjähdysvaarallista tai myrkyllistä kaasua. Älä koskaan käytä laitetta, kun läsnä on syttyvää kaasua tai nestettä.
	<b>HITSATUT KAPPALEET VOIVAT POLTTAA:</b> Hitsaus tuottaa paljon lämpöä. Pinnat ja materiaalit työalueella tai kosketuksissa kappaleeseen voivat palaa. Käytä hanskoja tai pihtejä siirtäessäsi tai koskettaessasi työkappaletta.
	<b>TURVAMERKKI:</b> Tämä laite soveltuu hitsausvirtalähteeksi ympäristöön, jossa on lisääntynyt sähköiskun vaara.

# Asennus ja Käyttöohjeet

Lue koko tämä kappale ennen koneen asennusta tai käyttöä.

## Sijoitus ja Ympäristö

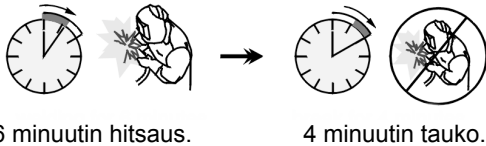
Kone voi toimia ankarassa ympäristössä. Kuitenkin, on tärkeää noudattaa yksinkertaisia suojausohjeita pitkään ja luotettavan toiminnan takaamiseksi.

- Älä sijoita konetta alustalle, joka on kallellaan vaakatasosta enemmän kuin 15°.
- Älä käytä konetta putkien sulatukseen.
- Kone on sijoitettava siten, että vapaa ilmankierto on mahdollinen ilmaventtiileistä sisään ja ulos. Älä peitä konetta paperilla, vaatteilla tai rievuilla, kun se on kytketty päälle.
- Koneen sisälle joutuvan lian ja pölyn määrä on pidettävä mahdollisimman pienenä.
- Koneen suojausluokka on IP23. Pidä kone mahdollisimman kuivana äläkä sijoita sitä kosteisiin paikkoihin tai lätkön päälle.
- Sijoita kone etäälle radio-ohjatuista laitteista. Normaali toiminta voi haitata lähellä olevien radio-ohjattujen laitteiden toimintaa ja voi aiheuttaa loukkaantumisia tai konerikkoja. Lue "Elektromagneettinen yhteensopivuus" tästä ohjekirjasta.
- Älä käytä ympäristössä, jossa lämpötila on korkeampi kuin 40°C.

## Kuormitettavuus ja ylikuumentuminen

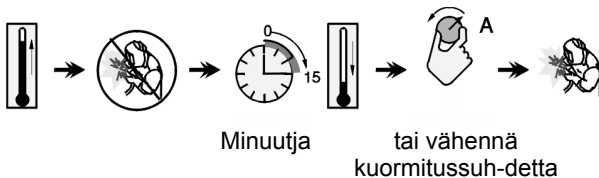
Koneen kuormitusaikasuhde on käyttäjän prosentiosuus 10 minuutin ajanjaksossa, jolloin konetta voidaan käyttää ilmoitetulla hitsausvirralla.

60% kuormitusaikasuhde:



Huomattava kuormitusajan pidentäminen aiheuttaa lämpösuojan laukeamisen.

Kone on suojattu ylikuumentumiselta termostaatilla. Kun kone ylikuumenee, lähtöjännite menee noltaan ja termostaatin merkkivalo syttyy. Kun kone on jäähtynyt turvalliseen lämpötilaan, merkkivalo sammuu ja kone palaa normaaliin toimintaan.



## Syöttöjännite

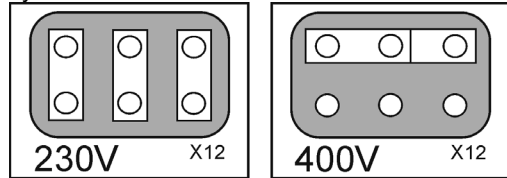
Asennus pitää tehdä voimassa olevien määräysten mukaan.

Tarkista syöttöjännite, vaiheluku, ja taajuus ennenkuin käännät koneen päälle. Tarkista koneen maadoitusjohto koneesta verkkoon. Mahdolliset jännitteet ovat 3x230V

ja 3x400V 50Hz (400V: tehdasasetus). Lisätietoja jännitesyötöstä, katso tekniset tiedot tästä käyttöohjeesta ja koneen konekilvestä.

Jos on tarpeen vaihtaa syöttöjännite:

- Evarmista, että syöttökaapeli on irti verkosta ja kone pääkytkin on OFF asennossa.
- Poista yläpaneli koneesta.
- Kytke uudelleen X12 alla olevan kuvan mukaan.



- Aseta yläpaneli takaisin.

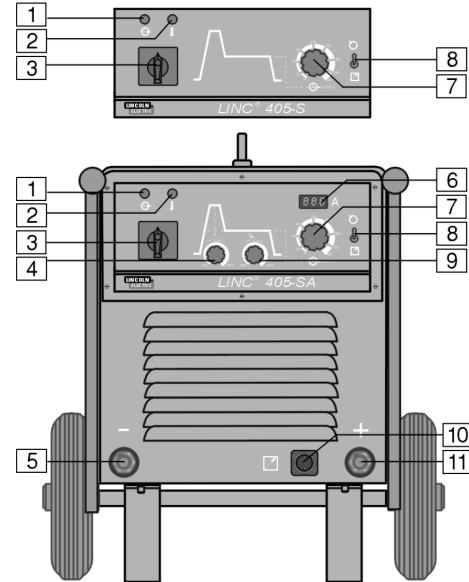
Varmistu, että riittävä teho on saatavissa syöttöliitännässä koneen normaalia toimintaa ajatellen. Välttämätön hidus sulake (tai piirikatkaisin "D" ominaisuudella) ja kaapelikoot selviävät teknisistä tiedoista tästä ohjekirjasta.

Katso kohtia 1, 3, 12 ja 13 alla olevista kuvista.

## Lähtöliitännät

Katso kohtia 5, 10 ja 11 alla olevista kuvista.

## Säätimet ja Toimintominaisuudet



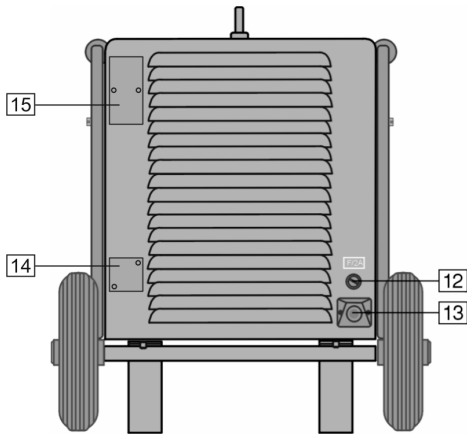
1. **Tehomerkkivalo:** Kun kone on kytketty ja pääkytkin on käännetty päälle asentoon, tämä merkkivalo syttyy ja osoittaa että kone on valmiina hitsaukseen.
2. **Yliämpötilan merkkivalo:** Tämä lamppu syttyy, kun koen ylikuumenee ja lähtöjännite menee noltaan. Tämä voi tapahtua jos ulkolämpötila on yli 40°C tai kuormitussuhde on ylitetty. Jätä kone jäähtymään, kun lamppu sammuu, normaali toiminta on mahdollista.

- Termostaattiohjattu tuuletin: tuuletin on lisäksi ohjattu termostaattisuojauspiirillä. Tämä

ominaisuus säästää energiaa ja myös vähentää liikaa joutumasta koneeseen.

#### Tuuletin toimii vain, kun jäädytystä tarvitaan.

3. Pääkytkin: Ohjaa syöttöjännitteen koneeseen.
4. Kuumastarttiohjaus (Vain LINC 405-SA): Kuumastartti on hetkellinen virran lisäys puikkohitsauksen aloituksessa ja helpottaa sytyttämistä. Potentiometriä käytetään asettamaan virtataso.
5. Miinus napa: Miinus liitin hitsausvirtapiirille.
6. Digitaalinen hitsausvirtamittari muistilla (Vain LINC 405-SA): Näyttää nykyisen arvon hitsauksen aikana. Hitsauksen jälkeen se näyttää keskiarvovirran.
7. Virran säätö: Potentiometriä käytetään hitsausvirran asetukseen (myös hitsauksen aikana), 15A - 400A.
8. Lähil/Kaukosäädin kytkin: Kaukosäädintä K10095-1-15M ja K870 voidaan käyttää koneen kanssa. Kytkin vaihtaa ohjauksen koneelta (kohta 7) K10095-1-15M tai K870:lle ja päinvastoin.
9. Kaarivoiman säätö (vain LINC 405-SA): Käytetään puikkohitsauksessa ja hitsausvirtaa väliaikaisesti lisätään, kun puikon ja työkappaleen välillä tulee oikosulku, mikä tapahtuu normaalin hitsauksen aikana.
10. Kaukosäätöliitäntä: Jos kaukosäätöä käytetään, se liitetään kaukosäätöliittimeen.
11. Plus napa liitin: Positiivinapa hitsausvirtapiirille.



12. Sulake: Tämä sulake suojaa tuuletinpiiriä.
13. Verkkoliitäntä: Liitä verkkopistoke olemassaolevaan kaapeliin. Tätä liitäntää ei saa tehdä kuin pätevyitynyt henkilö.
14. Suojattu reikä: 48Vac liitin K14027-1.
15. Suojattu reikä: Piirikatkaisijalle, joka suojaa 48Vac liitintä K14027-1.

## Puikkohitsaus (MMA)

Aloittaaksesi puikkohitsauksen sinun pitää:

- kiinnittää virta- ja maattokaapeli vastakkeisiin ja kiertää ne kiinni.
- Kiinnittää maattopuristin työkappaleeseen.
- Asettaa puikko puikonpitimeen.
- Kiinnittää verkkopistoke verkkoon.
- Asettaa Lähi/kaukosäätökytkin oikeaan asentoon.
- Kääntää pääkytkimestä virta.
- Säättää sopiva virta virran säätönupista.
- Noudattamalla asiaankuuluvia sääntöjä voit aloittaa hitsauksen.

## Huolto

### ⚠ VAROITUS

Kaikissa ylläpito ja huoltoasioissa suositellaan yhteydenottoa lähimpään Lincoln Electric huoltoon. Ylläpito tai korjaus, jonka on tehnyt ei-valtuutettu huolto mitätöi valmistajan myöntämän takuun.

Huollon tarve voi riippua ympäristöstä, johon kone on sijoitettu.

Havaitut viat tulee raportoida välittömästi.

### Rutiinihuolto (joka päivä)

- Tarkista kaapeleiden ja liittimien kunto. Vaihda, jos on tarpeen.
- Tarkista jäädytintuulettajan kunto ja toiminta. Pidä ilmasäleikkö puhtaana.

### Määräaikaishuolto (joka 200:s työtunti, mutta vähintään kerran vuodessa)

Suorita rutiinihuolto ja lisäksi:

- Pidä kone puhtaana. Käytä kuivaa (ja matalapaineista) puhallusilmaa, poista pöly koneen ulkopinnoilta ja sisäpuolelta.
- Tarkista ja kiristä kaikki ruuvit.

### ⚠ VAROITUS

Verkkokaapeli pitää irroittaa ennen huoltoa ja korjausta. Jokaisen korjauksen jälkeen suorita soveltuvat testit turvallisuuden takaamiseksi.

# Elektromagneettinen Yhteensopivuus (EMC)

11/04

Tämä kone on suunniteltu voimassa olevien direktiivien ja standardien mukaan. Kuitenkin se saattaa tuottaa elektromagneettista häiriötä, joka voi vaikuttaa muihin järjestelmiin, kuten telekommunikaatioon (puhelin, radio, ja televisio) ja turvajärjestelmiin. Nämä häiriöt voivat aiheuttaa turvaongelmia niihin liittyvissä järjestelmissä. Lue ja ymmärrä tämä kappale eliminoidaksesi tai vähentääksesi koneen kehittämää elektromagneettisen häiriön määrää.



**VAROITUS:** Tämä kone on tarkoitettu toimimaan teollisuusympäristössä. Jos konetta käytetään kotilo-suhteissa on välttämätöntä huomata muutama asia mahdollisten häiriöiden varalta. Kone on asennettava ja sitä on käytettävä tämän käyttöohjeen mukaan. Jos elektromagneettisia häiriöitä ilmenee, käyttäjän on ryhdyttävä korjaaviin toimenpiteisiin niiden eliminoimiseksi, jos on tarpeen Lincoln Electricin avulla.

Ennen koneen asentamista, käyttäjän on tarkistettava työalue laitteista, joihin voi tulla virhetoimintoja elektromagneettisten häiriöiden takia. Ota huomioon seuraava:

- Syöttö-, ja hitsauskaapelit, ohjaukskaapelit, puhelinkaapelit, jotka ovat työalueen ja koneen lähellä.
- Radio ja/tai televisiovastaanottimet ja lähettimet. Tietokoneet ja tietokoneohjatut laitteet.
- Teollisuusprosessien ohjauks-, ja turvalaitteet. Mittaus-, ja kalibrointilaitteet.
- Henkilökohtaiset terveyslaitteet, kuten sydäntahdistin tai kuulokoje.
- Tarkista työalueen laitteiden elektromagneettinen immuuteetti. Käyttäjän on oltava varma, että laitteisto työalueella on yhteensopiva. Tämä voi vaatia lisäsuojaustoimenpiteitä.
- Työalueen mitat riippuvat alueen rakenteesta ja muista toiminnoista.

Harkitse seuraavia ohjeita elektromagneettisten häiriöiden vähentämiseksi:

- Liitä kone verkkoon tämän ohjeen mukaisesti. Jos häiriöitä tapahtuu, voi olla syytä tehdä lisätoimenpiteitä, kuten syöttöön järjestetty suodatus.
- Hitsauskaapelit pitäisi pitää mahdollisimman lyhyinä ja yhdessä. Jos mahdollista yhdistä työkappale maahan häiriöiden vähentämiseksi. Käyttäjän on varmistuttava, ettei työkappaleen liittäminen maahan aiheuta ongelmia tai vaaraa henkilökunnalle tai laitteille.
- Kaapeleiden suojaaminen työalueella voi vähentää elektromagneettista säteilyä työalueella. Tämä voi olla tarpeen joissakin tilanteissa.

## Tekniset Tiedot

SYÖTTÖ			
Syöttöjännite 230 / 400V ± 10% Syöttöjännite	Syöttöteho Nimelliskuormalla 34 kVA @ 35% Kuormitusaiakasuhde	Taajuus 50 Hertz (Hz)	
KUORMITETTAVUUS 40°C:ssä			
Kuormitusaiakasuhde (Perustuu 10 min. jaksoon) 35% 60% 100%	Hitsausvirta 400A 315A 240A	Lähtöjännite 36.0 Vdc 33.0 Vdc 29.0 Vdc	
VIRTA-ALUE			
Hitsausvirta-alue 15 – 400 Amps		Maksimi Tyhjäkäyntijännite 78 Vdc	
SUOSITELLUT KAAPELI- JA SULAKEKOOT			
Sulake tai piirikatkaisijakoko 63A Superhidas (230V syöttö) 40A Superhidas (400V syöttö)		Syöttökaapeli 4 Johdin, 6 mm <sup>2</sup>	
MITAT			
Korkeus 640 mm	Leveys 580 mm	Pituus 1150 mm (700 mm without handles)	Paino 126 Kg
Käyttölämpötila -10°C to +40°C		Varastointilämpötila -25°C to +55°C	

# Spare Parts, Parti di Ricambio, Ersatzteile, Lista de Piezas de Recambio, Pièces de Rechange, Deleliste, Reserve Onderdelen, Reservdelar, Wykaz Części Zamiennych, Varaosaluettelo

12/05

<p><b>Part List reading instructions</b></p> <ul style="list-style-type: none"> <li>Do not use this part list for a machine if its code number is not listed. Contact the Lincoln Electric Service Department for any code number not listed.</li> <li>Use the illustration of assembly page and the table below to determine where the part is located for your particular code machine.</li> <li>Use only the parts marked "X" in the column under the heading number called for in the assembly page (# indicate a change in this printing).</li> </ul>
<p><b>Parti di Ricambio: istruzioni per la lettura</b></p> <ul style="list-style-type: none"> <li>Non utilizzare questa lista se il code della macchina non è indicato. Contattare l'Assistenza Lincoln Electric per ogni code non compreso.</li> <li>Utilizzare la figura della pagina assembly e la tabella sotto riportata per determinare dove la parte è situata per il code della vostra macchina.</li> <li>Usare solo le parti indicate con "X" nella colonna sotto il numero richiamato nella pagina assembly (# indica un cambio in questa revisione).</li> </ul>
<p><b>Hinweise zur Verwendung der Ersatzteillisten</b></p> <ul style="list-style-type: none"> <li>Verwenden Sie diese Ersatzteilliste nur für die Geräte, deren Code Nummer in dieser Liste aufgeführt sind. Fehlt die Code-Nummer, wenden Sie sich bitte in diesem Fall an die Firma Lincoln.</li> <li>Bestimmen Sie mit Hilfe der Zusammenstellungszeichnung (assembly page), der Stückliste und der Code Nummer Ihres Geräts, an welcher Stelle sich das jeweilige Ersatzteil befindet.</li> <li>Ermitteln Sie zunächst mit Hilfe der assembly page die für die Code Nummer Ihres Geräts gültige Index-Spaltennummer, und wählen Sie anschließend nur die Ersatzteile aus, die in dieser Spalte mit einem "X" markiert sind (das Zeichen # weist auf eine Änderung hin).</li> </ul>
<p><b>Lista de piezas de recambio: instrucciones</b></p> <ul style="list-style-type: none"> <li>No utilizar esta lista de piezas de recambio, si el número de code no está indicado. Contacte con el Dpto. de Servicio de Lincoln Electric para cualquier número de code no indicado.</li> <li>Utilice el dibujo de la página de ensamblaje (assembly page) y la tabla para determinar donde está localizado el número de code de su máquina.</li> <li>Utilice sólo los recambios marcados con "X" de la columna con números según página de ensamblaje (# indica un cambio en esta revisión).</li> </ul>
<p><b>Comment lire cette liste de pièces détachées</b></p> <ul style="list-style-type: none"> <li>Cette liste de pièces détachées ne vaut que pour les machines dont le numéro de code est listé ci-dessous. Dans le cas contraire, contacter le Département Pièces de Rechange.</li> <li>Utiliser la vue éclatée (assembly page) et le tableau de références des pièces ci-dessous pour déterminer l'emplacement de la pièce en fonction du numéro de code précis de la machine.</li> <li>Ne tenir compte que des pièces marquées d'un "X" dans la colonne de cette vue éclatée (# Indique un changement).</li> </ul>
<p><b>Instruksjon for deleliste</b></p> <ul style="list-style-type: none"> <li>Ikke bruk denne delelisten hvis code nummeret for maskinen ikke står på listen. Kontakt Lincoln Electric Serviceavd. for maskiner med code utenfor listen.</li> <li>Bruk sprengskissen og pos. nr. på assembly page nedenfor for å finne de riktige delene til din maskin.</li> <li>Bruk kun de delene som er merket med "X" i den kolonnen som det henvises til på siden med assembly page (# indikerer endring).</li> </ul>
<p><b>Leessinstructie Onderdelenlijst</b></p> <ul style="list-style-type: none"> <li>Gebruik deze onderdelenlijst niet voor machines waarvan de code niet in deze lijst voorkomt. Neem contact op met de dichtstbijzijnde Lincoln dealer wanneer het code nummer niet vermeld is.</li> <li>Gebruik de afbeelding van de assembly page en de tabel daaronder om de juiste onderdelen te selecteren in combinatie met de gebruikte code.</li> <li>Gebruik alleen de onderdelen die met een "X" gemerkt zijn in de kolom onder het model type op de assembly page (# betekent een wijziging in het drukwerk).</li> </ul>
<p><b>Instruktion för reservdelslistan</b></p> <ul style="list-style-type: none"> <li>Använd inte denna lista för en maskin vars Code No inte är angivet i listan. Kontakta Lincoln Electric's serviceavdelning för Code No som inte finns i listan.</li> <li>Använd sprängskisserna på Assembly Page och tillhörande reservdelslista för att hitta delar till din maskin.</li> <li>Använd endast delar markerade med "X" i kolumnen under den siffra som anges för aktuellt Code No på sidan med Assembly Page (# Indikerar en ändring i denna utgåva).</li> </ul>
<p><b>Wykaz części dotyczących instrukcji</b></p> <ul style="list-style-type: none"> <li>Nie używać tej części wykazu dla maszyn, których kodu (code) nie ma na liście. Skontaktuj się z serwisem jeżeli numeru kodu nie ma na liście.</li> <li>Użyj ilustracji montażu (assembly page) i tabeli poniżej aby określić położenie części dla urządzenia z konkretnym kodem (code).</li> <li>Użyj tylko części z oznaczeniem "X" w kolumnie pod numerem głównym przywołującym stronę (assembly page) z indeksem modelu (# znajdź zmiany na rysunku).</li> </ul>
<p><b>Osaluettelo, lukuohje</b></p> <ul style="list-style-type: none"> <li>Älä käytä tätä osaluetteloa koneeseen, jonka koodinumero ei ole listassa. Ota yhteyttä Lincoln Electric huolto-osastoon mistä tahansa koodista, joka ei ole listassa.</li> <li>Käytä asennuskuvaa ja alla olevaa taulukkoa määrittääksesi, missä osa sijaitsee.</li> <li>Käytä vain osia, jotka on merkitty "X":llä asennussivua ilmoittavassa sarakkeessa (# ilmoittaa muutoksesta tässä painoksessa).</li> </ul>

**LINC 405**

ASSEMBLY PAGE NAME			Machine Assembly	Miscellaneous items			
CODE NO.:	K NO.:	FIGURE NO.:	A	-			
50037	K14002-1	LINC 405-SA	1	1			
50038	K14002-2	LINC 405-S	2	2			
50024	K14002-3	LINC 405-S (no wheels and handles)	3	3			

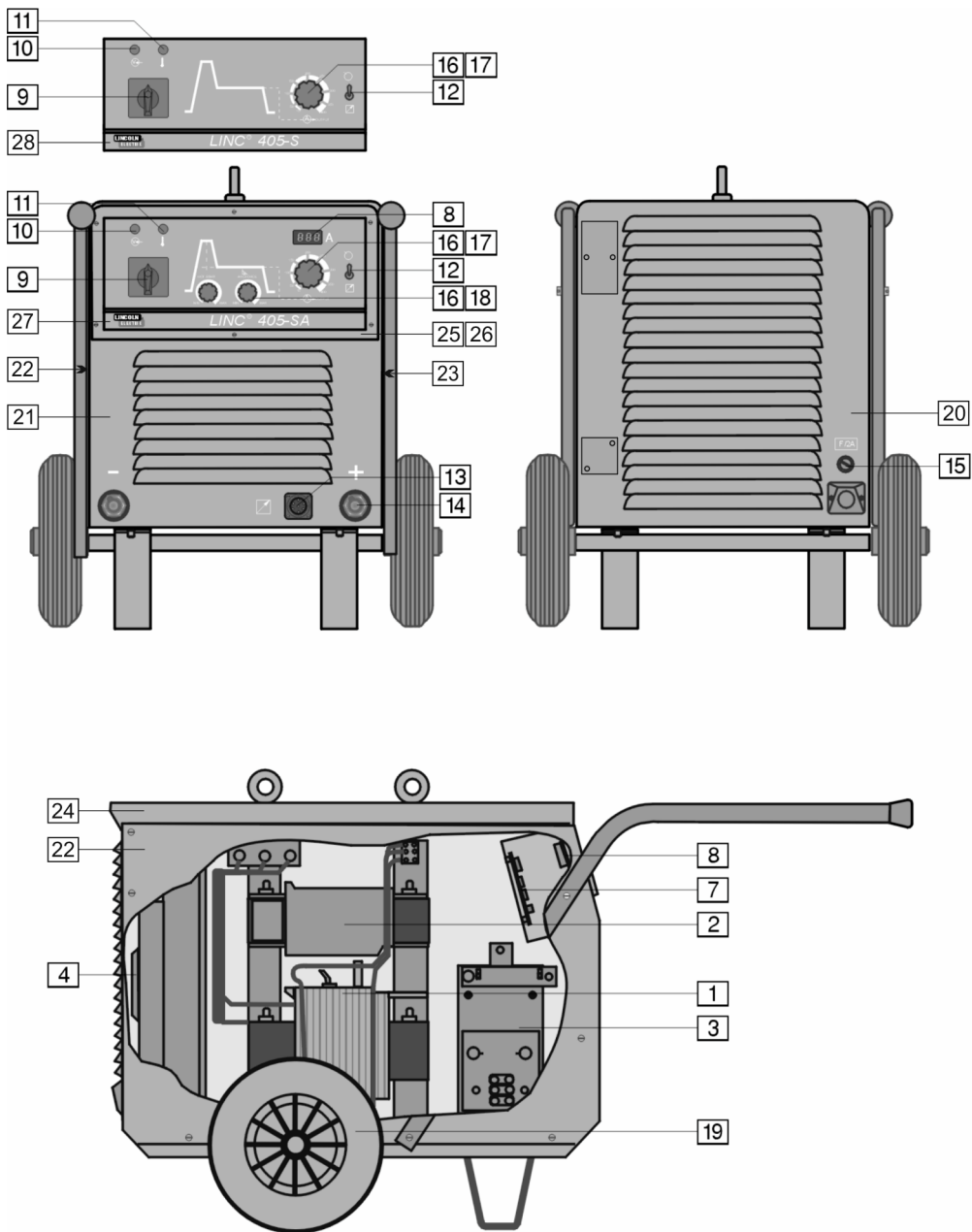


Figure A

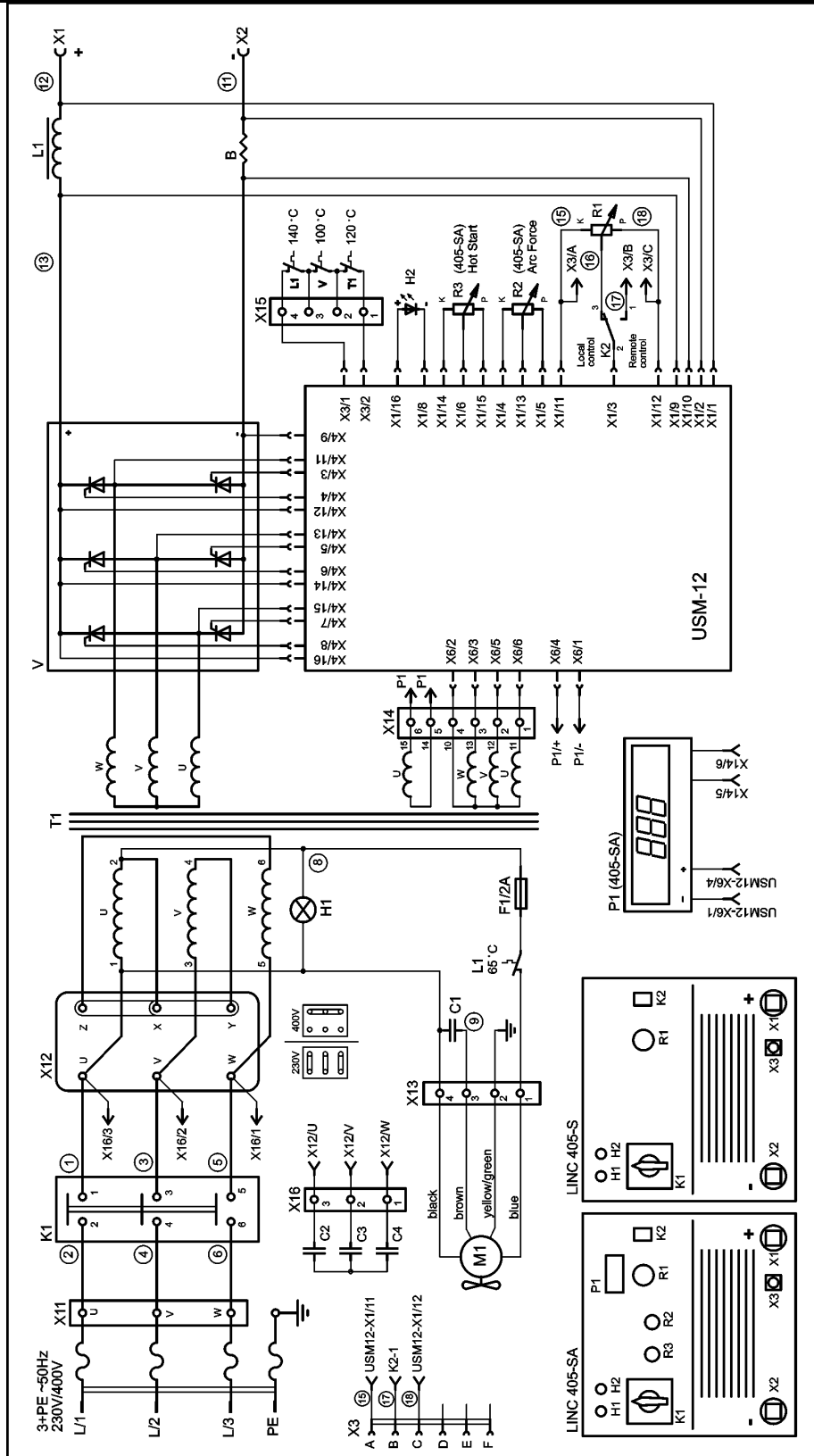
**Figure A: Machine Assembly**

Item	Description	Part Number	QTY	1	2	3	4	5	6
1	TRANSFORMER T1	B-4247-453-2R	1	X	X	X			
2	CHOKE L1	C-4244-373-2R	1	X	X	X			
3	RECTIFIER SET V	1156-112-145R	1	X	X	X			
4	FAN M1	1111-311-084R	1	X	X	X			
7	CONTROL CIRCUIT BOARD USM-12	C-3731-398-1R	1	X	X	X			
8	DIGITAL AMMETER WA/H-400	C-3731-386-1R	1	X	•	•			
9	MAIN SWITCH K1	1115-260-113R	1	X	X	X			
10	LAMP H1	0917-421-002R	1	X	X	X			
11	LAMP H2	0917-421-024R	1	X	X	X			
12	SWITCH K2	1158-650-023R	1	X	X	X			
13	SOCKET X3	1158-641-008R	1	X	X	X			
14	SOCKETS X1, X2	C-2986-001-3R	2	X	X	X			
15	FUSE F1	1158-660-028R	1	X	X	X			
16	POTENTIOMETER R1, R2, R3	1158-113-304R	3	X	•	•			
16	POTENTIOMETER R1	1158-113-304R	1	•	X	X			
17	KNOB	1158-910-041R	1	X	X	X			
18	KNOBS	1158-910-038R	2	X	•	•			
19	WHEEL	1029-660-250R	2	X	X	•			
20	REAR PANEL	C-3721-788-1/08R	1	X	X	X			
21	FRONT PANEL	C-3721-789-1/08R	1	X	X	X			
22	LEFT SIDE PANEL	C-3721-801-1R	1	X	X	X			
23	RIGHT SIDE PANEL	C-3721-801-2R	1	X	X	X			
24	TOP PANEL	C-3773-099-1R	1	X	X	X			
25	FRONT PANEL	C-3721-795-1/08R	1	X	•	•			
26	FRONT PANEL	C-3721-795-2/08R	1	•	X	X			
27	LABEL	2719-107-821R	1	X	•	•			
28	LABEL	2719-107-820R	1	•	X	X			

**Miscellaneous Items (not showed in figure A)**

Item	Description	Part Number	QTY	1	2	3	4	5	6
	CAPACITOR C4	1158-121-000R	1	X	X	X			
	CAPACITORS C1, C2, C3	1158-125-373R	3	X	X	X			
	MAINS CABLE WITHOUT PLUG 5m	D-5578-168-1R	1	X	X	X			

# Electrical Schematic, Schema Elettrico, Elektrische Schaltpläne, Esquema Eléctrico, Schéma Electrique, Elektrisk Skjema, Elektrisch Schema, Elektriskt Kopplingschema, Schemat Elektryczny, Sähkökaavio





## Accessories, Accessori, Zubehör, Accesorios, Accessoires, Tilleggsutstyr, Accessores, Tillbehör, Akcesoria, Varusteet

K14007-1	<p>Welding Cable with the Holder for Coated Electrodes 5m.  Cavo di saldatura 5 metri con pinza per elettrodi rivestiti.  E-Handleitung mit Stab-Elektrodenhalter, 5m.  Cable de soldadura de 5m con pinza para electrodos recubiertos.  Câble électrode avec porte-électrode 5m.  5m Sveisekabel med elektrodeholder.  Laskabel met elektrodehouder 5m.  Svetskabel med elektrodhållare, 5m.  Kabel spawalniczy z uchwytem elektrody 5m.  Hitsauskaapeli puikonpitimiseen 5m.</p>
K14008-1	<p>Ground Cable with the Work Clamp 5m.  Cavo massa 5 metri con pinza di massa.  Massekabel mit Klemme, 5m.  Cable masa de 5m con pinza.  Câble de masse avec pince de masse 5m.  5m Godskabel med jordingsklype.  Werkstukkabel met werkstukkleem 5m.  Återledarkabel med godsklämma, 5m.  Kabel spawalniczy z zaciskiem uziemiającym 5m.  Maattokaapeli maattopuristimella 5m.</p>
K10095-1-15M	<p>Hand Amptrol.  Comando a distanza manuale.  Handfernregler.  Amptrol Manual.  Commande à distance à main.  Fjernregulator hånd.  Hand afstandbediening.  Fjärrkontroll hand.  Ręczny regulator prądu.  Käsikaukosäädin.</p>
K870	<p>Foot Amptrol.  Comando a distanza a pedale.  Fußpedalfernregler.  Amptrol Pedal.  Commande à distance à pied.  Fotregulator.  Voet afstandbediening.  Fjärrkontroll pedal.  Nożny regulator prądu.  Jalkakaukosäädin.</p>
K14027-1	<p>48Vac socket (1500W) kit.  Kit presa 48Vac (1500W).  48V Wechselstrom-Steckerbuchsen-Kit (1500W).  Kit zócalo 48 Vac (1500W).  Kit prise 48Vac (1500W).  48Vac stikkontakt (1500W) sett.  Set 48Vac stekkerdoos (1500W).  48Vac uttag (1500W), sats.  Zestaw gniazda 48Vac (1500W).  48Vac liitinsarja (1500W).</p>